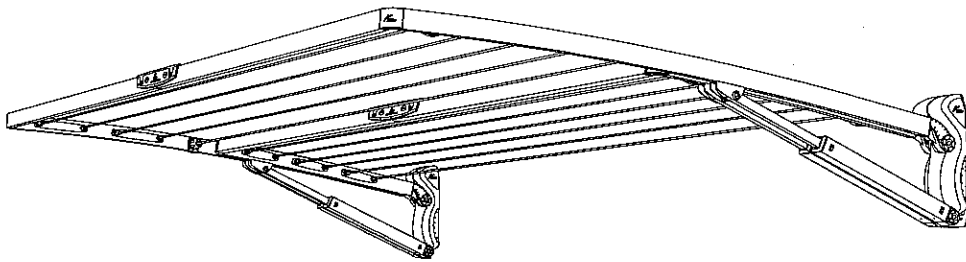




# **Hills® Supa® Fold**

Folding Frame Clothesline

**Owner's Manual**



## **TO SUIT MODELS:**

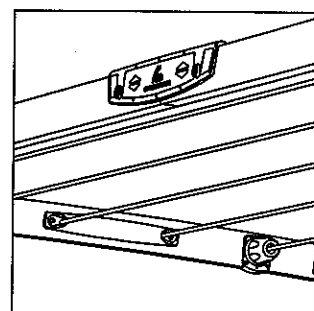
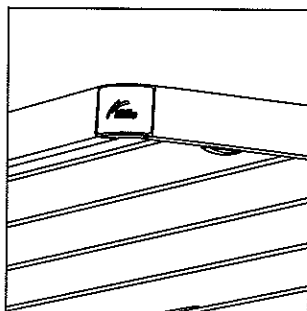
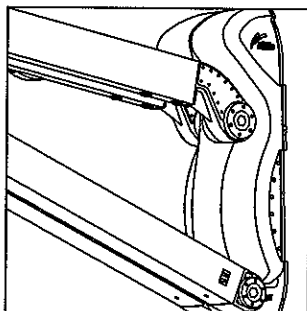
Supa® Fold Duo

Supa® Fold Mono

Supa® Fold Long Line

Supa® Fold Compact Line

Supa® Fold Mini Line



## **Congratulations**

Congratulations on the purchase of your **Hills Supa® Fold Folding Frame Clothesline**, which will bring you many years of trouble free and efficient drying.

Your Supa Fold can be either wall or post mounted. If you are planning to post mount, you will need to purchase a post kit (sold separately).

It's important that you read this Owner's Manual thoroughly before installation to benefit from the design features and enjoy safe use of this product.

Thank you for choosing Hills.

## **Warning**

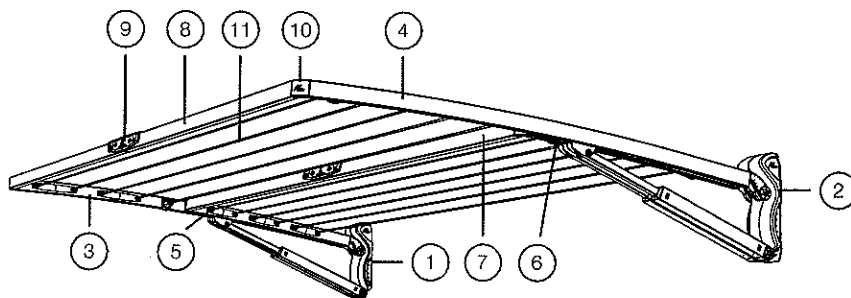
- Do not allow children or pets to swing on the clothesline or items of laundry.
- Ensure when raising and lowering your clothesline that bystanders (in particular children) are standing well clear.
- Do not use for any purpose other than to hang and dry washing.
- Do not use your clothesline if parts are worn or damaged.
- Do not allow the frame to lower in an uncontrolled manner as damage or injury may result.
- Patents and Registered Designs apply to this product.

## Carton Contents

Check all components are supplied in your carton.

Refer to the chart below for quantities.

	Supa Fold	Duo	Mono	Long	Compact	Mini
1	Mount Bracket Assembly - LH	1	1	1	1	1
2	Mount Bracket Assembly - RH	1	1	1	1	1
3	Arm - LH	1	1	1	1	1
4	Arm - RH	1	1	1	1	1
5	Arm Inner - LH	1	-	-	-	-
6	Arm Inner - RH	1	-	-	-	-
7	Inner Spreader Bar	2	-	-	-	-
8	Outer Spreader Bar	2	2	3	2	1
9	Spreader Joiner	2	1	2	1	-
10	Corner	4	2	2	2	2
11	Line	2	1	1	1	1
	Hex Key 6mm	1	1	1	1	1
	Hex Key 5mm	1	1	1	1	1
	Hex Key 4mm	1	1	1	1	-
	Pivot Assembly	2	2	2	2	2
	Cover Cap	4	-	2	2	2



## Installation

### Step 1 - Select a suitable location

Your Supa Fold can be mounted to either a wall or post kit (sold separately).

You must check to ensure you have sufficient space in your garden / yard to install your clothesline (**Fig. 1**).

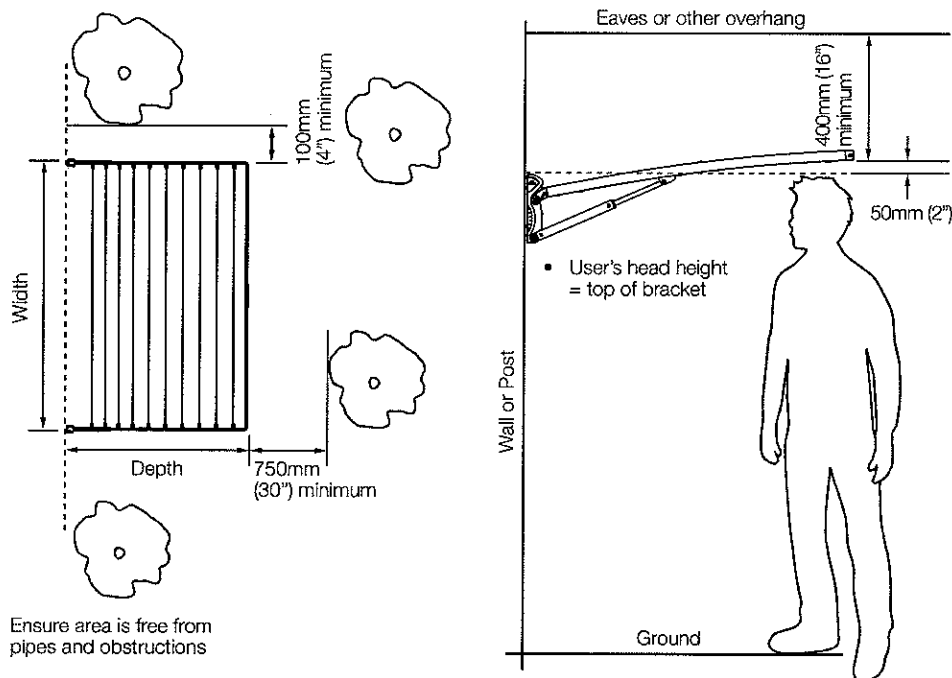


Mini Line can also be installed indoors

Your product can be reduced in width (if needed) refer to step 8 on page 12 for details.

We recommend mounting your Supa Fold at a height approximately 50mm (2") above the head height of the intended user (**Fig. 1**).

**Fig. 1**




Overall dimensions vary for each product (refer to table below).


Product	Width	Depth
Supa® Fold Duo	2200mm (86.5")	1200mm (47.2")
Supa® Fold Mono	2200mm (86.5")	1200mm (47.2")
Supa® Fold Long Line	3350mm (132")	600mm (23.5")
Supa® Fold Compact Line	2200mm (86.5")	600mm (23.5")
Supa® Fold Mini Line	1160mm (45.5")	600mm (23.5")

## Step 2 - Remove outer covers from mount brackets

The outer covers need to be removed to access the mount holes in the brackets (**Fig. 2**).

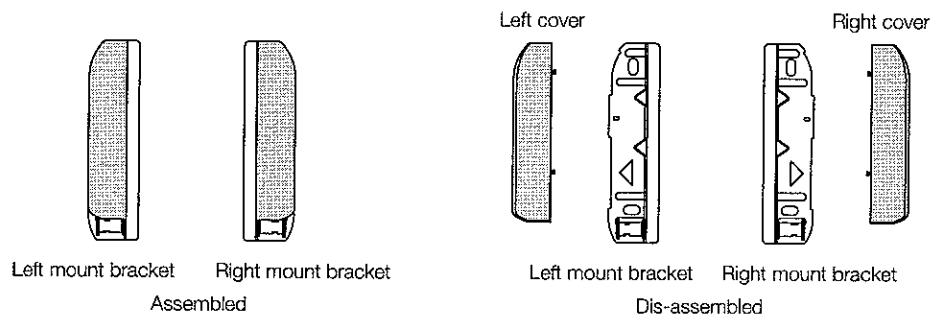
- 2.1 To remove the outer covers, simply push the moulding up and out, to disengage the locking pins.
- 2.2 To re-attach, align the pins in the covers with the slots in the mount brackets and slide down to secure.

 **When installing the brackets ensure the left and right labels are positioned correctly, as shown.**

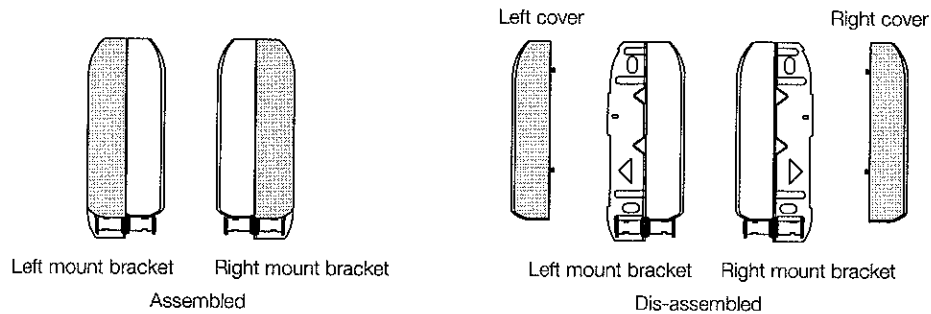
 The inner covers are secured with screws and never need to be removed.

**Fig. 2**

### Supa Fold Mono, Long Line, Compact Line and Mini Line




### Supa Fold Duo




### Step 3 - Installing your mount brackets

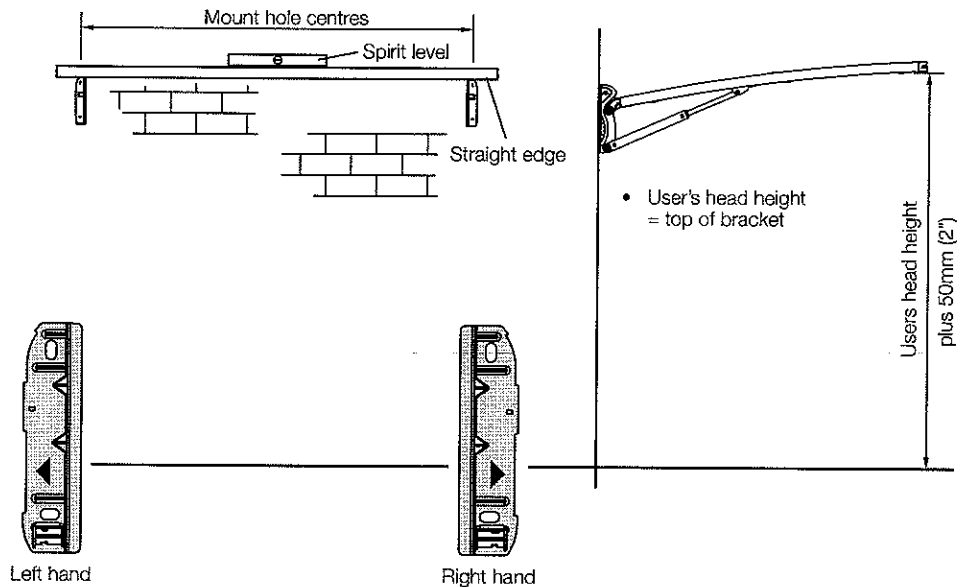
The following instructions are provided for installing your mount brackets to either;

- Brick or masonry walls (step 4)
- Stud walls (step 5)
- Post Kits (step 6)

 Due to the range of wall construction materials available, or if you have any doubt, consult your local hardware store.

-  Install the left hand bracket first and use this to align the right hand bracket.
- Hold each bracket against the wall, making sure they are aligned vertically and horizontally, and use them as templates to mark where to drill holes, (a spirit level and straight edge will help).

**Fig. 3**




Product	Mount Hole Centres
Supa® Fold Duo	2200mm (86.5")
Supa® Fold Mono	2200mm (86.5")
Supa® Fold Long Line	3350mm (132")
Supa® Fold Compact Line	2200mm (86.5")
Supa® Fold Mini Line	1160mm (45.5")

### Step 4 - Fixing to a brick or masonry wall

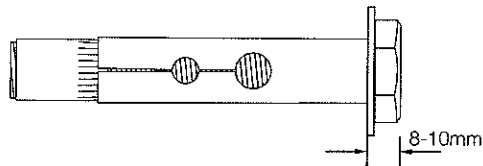
**4.1** Double check to ensure you have sufficient clearance and the area is free from pipes and other obstructions.

**4.2** Mark the position of the mount bracket hole centres on the wall.

The mount hole centres vary for each product (refer to table on page 6).

 If you are replacing an existing Hills Folding Frame product using the original fasteners, ensure they are suitable and still in good condition.

For sound brick/masonry walls, we recommend using appropriate flush head 10mm diameter fasteners.

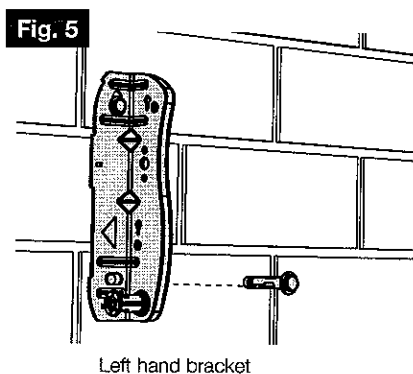
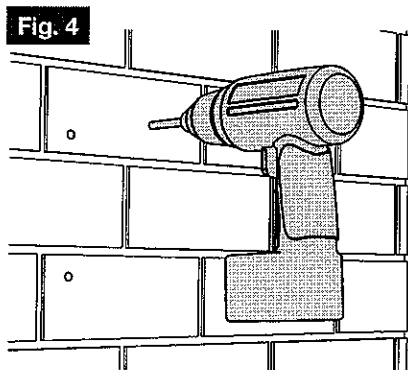


Ensure the head of the bolts do not protrude more than 8-10mm, or interference with outer covers may occur.

**4.3** Drill appropriately sized holes in your wall to suit the fasteners being used (**Fig. 4**).

**4.4** Clear holes of dust and debris before inserting fastener (**Fig. 5**).

**4.5** Double check the left and right hand bracket orientation then insert and securely fasten as shown.




## Installation

### Step 5 - Fixing to a stud wall

**5.1** Double check to ensure you have sufficient clearance and the area is free from pipes and other obstructions.

**5.2** Locate the vertical studs in your wall.


**5.3** Determine if you need to adjust your product width.

 The mount hole centres vary for the Supa Fold range (refer to table on page 6). You may need to reduce the width of your Supa Fold to match existing stud centres, (refer to step 8 on page 12 for details).

**5.4** Mark the position of the mount bracket's hole centres on the wall, (corresponding with the stud positions) (**Fig. 6**).

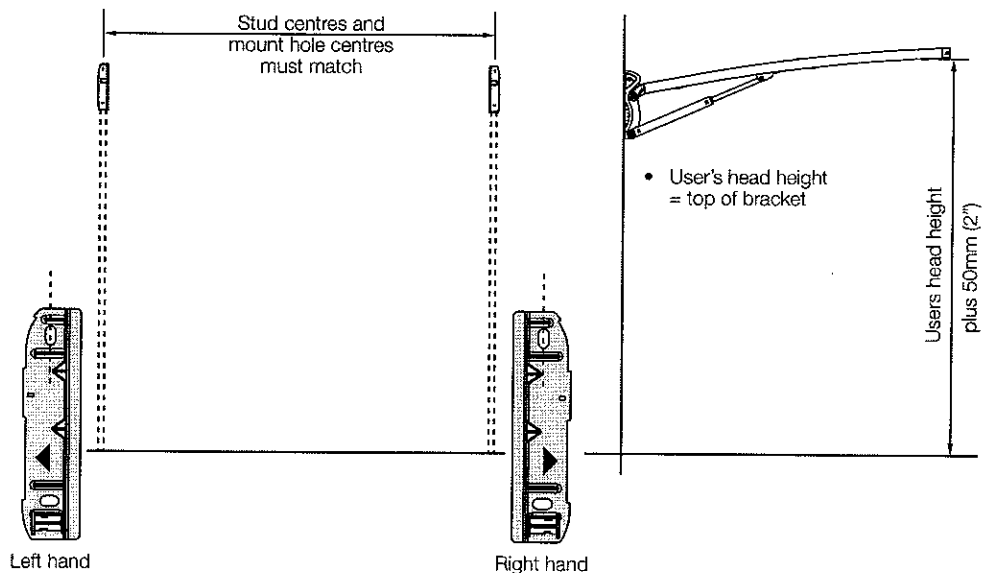
**5.5** Drill the correct size holes in your wall to suit the fasteners being used.

- For timber stud walls we recommend using four 8mm (5/16") x 75mm (3") long wood screws.
- For other stud and wall construction materials we recommend you consult your local hardware store for the appropriate fasteners.
- When drilling into timber studs, always drill a pilot hole to reduce the chance of the studs splitting.

 It is critical that your Supa Fold mount brackets are securely fastened to the vertical studs in your wall. Appropriate fasteners must be used, strong enough to support full loads of wet washing.

**5.6** Double check the left and right hand bracket orientation and securely fasten.

**Fig. 6**

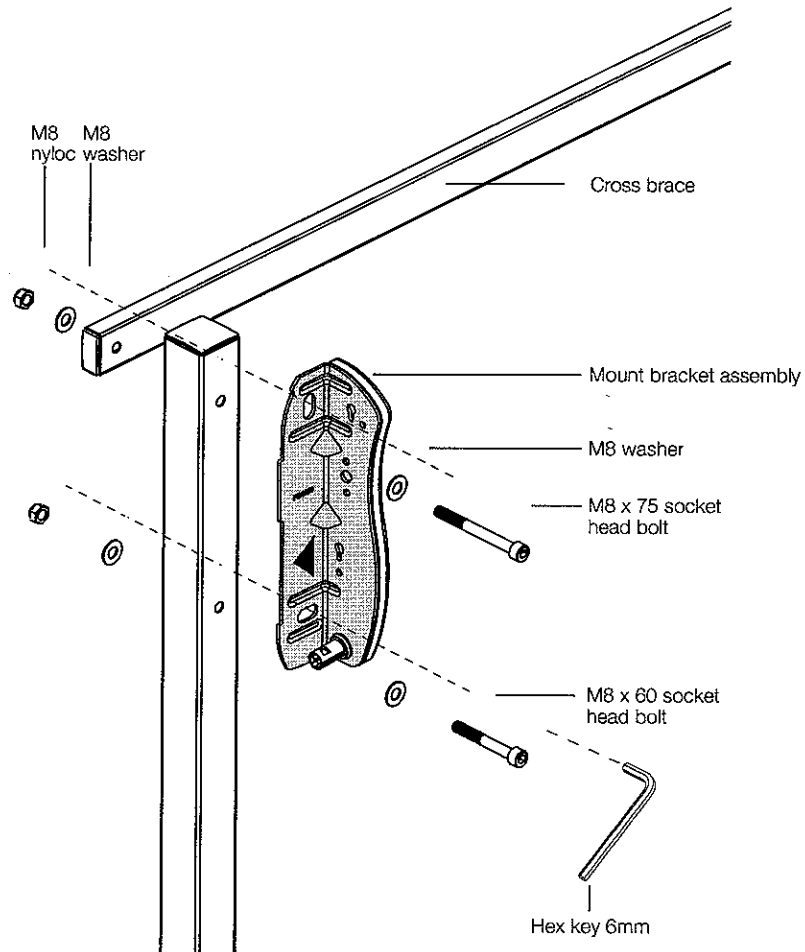


### Step 6 - Fixing to a post kit


Post kits for Supa Fold Folding Frame clotheslines are available as optional accessories.

- 6.1 Install and assemble the post kit as per the separate instructions provided with the kit. For the neatest appearance, install the cross brace with the central joining bolts facing towards the wall.
- 6.2 Install the mount brackets as shown (Fig. 7).

**Fig. 7**





## Step 7 - Assemble the spreader bars


 On the Mini Line there is no Spreader Bar assembly required.

**7.1** Dis-assemble the spreader handle from the spreader joiner using the hex key 4mm (**Fig. 8**).

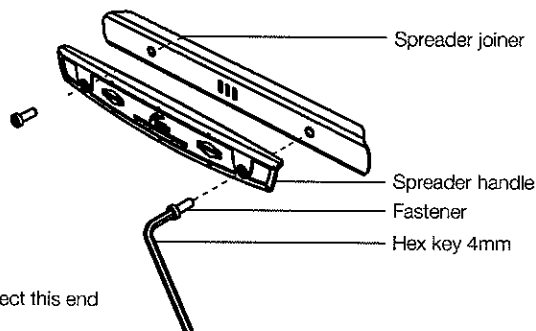
**7.2** Insert the spreader joiner into the spreader bar and then fasten with the spreader handle as shown (**Fig. 9**).

 Once the Joiner has been assembled to the first Spreader, fasten one of the screws to prevent the Joiner slipping in further during the assembly of the second Spreader.

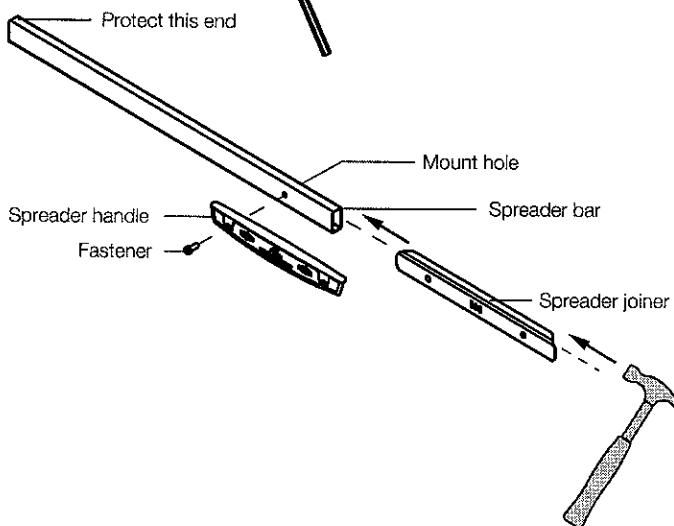
 **You must ensure the correct orientation of the spreader bars, spreader joiner and mount holes.**

- 
  - The spreader joiner is designed to be a tight fit within the spreader bar so you may need to gently 'tap' it in with a hammer. Ensure you protect the other end of the spreader bar with a cloth, soft surface or the cardboard packaging to avoid damage.
  - Ensure the mount holes and fasteners align
  - If you accidentally insert the spreader joiner too far you can 'lever' it out using a screwdriver. (**Fig. 10**).

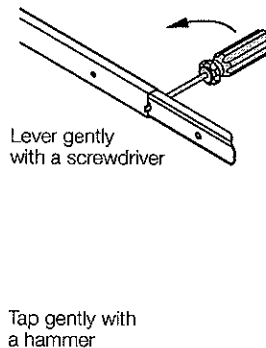
**Fig. 8**



**Fig. 9**



**Fig. 10**

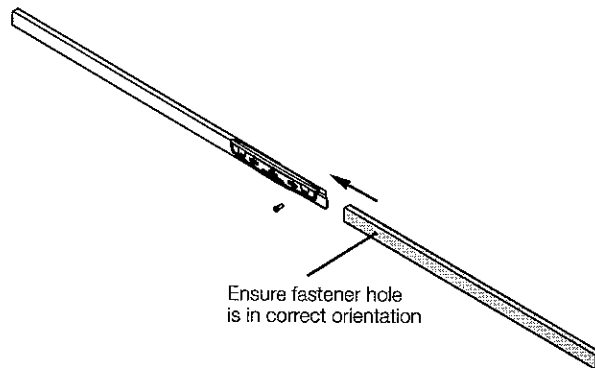


### Step 7 - continued

7.3 Assemble the second spreader bar and secure the fastener.

Again you may need to tap the end gently with a hammer as it's designed to be a 'tight' fit (**Fig. 11**).

**Fig. 11**

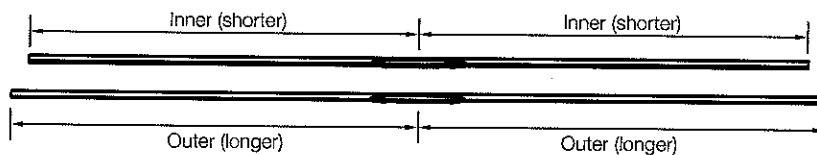


### Supa Fold Duo

The Supa Fold Duo has an outer (longer) and inner (shorter) spreader bar (**Fig. 12**).

**!** You must ensure the lengths of spreader bars match.

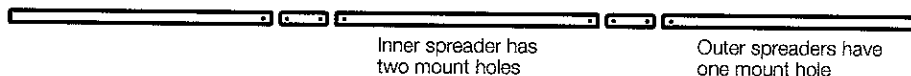
**Fig. 12**



### Supa Fold Long Line

The Supa Fold Long Line has three spreader bars and two joiner/handle assemblies. These must be assembled in the correct orientation as shown (**Fig. 13**).

**Fig. 13**



### Step 8 - Adjusting the width of your Supa Fold

Your Supa Fold width can be reduced to suit your specific installation needs or to align with existing stud centres.

The standard mount hole centres for your Supa Fold model are shown in the table on page 6.

Determine the length you need to reduce your product, halve this amount and cut equal lengths from the ends of the assembled spreader with a hacksaw (**Fig. 14**).

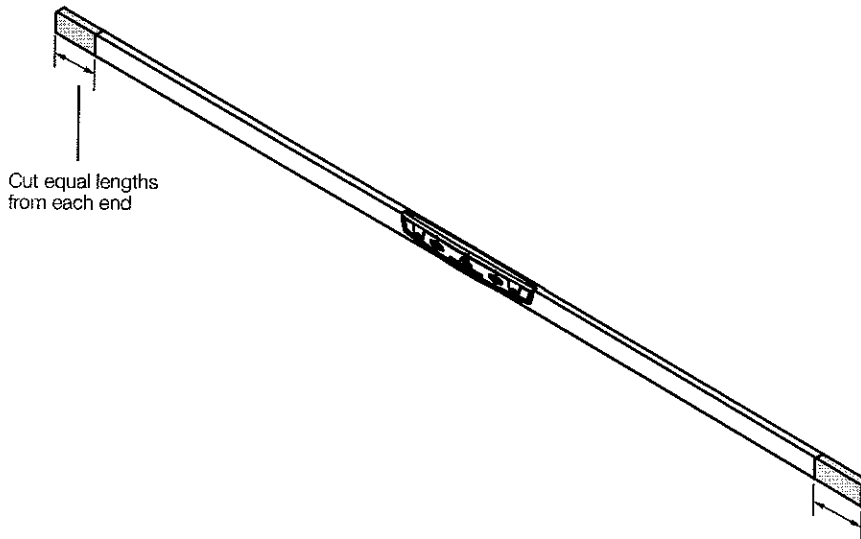


For the Supa Fold model Duo, you will need to cut both the inner and outer assembled spreader bars



- Cutting equal amounts from each end of the spreader will maintain the spreader handle in the centre of the product.
- Be careful when cutting with a hacksaw, ensure you do not slip/damage the powdercoat and keep the cut edge square. You may need to clean up the edges with a file after cutting.
- Make sure the inside of the cut edges are smooth to allow the corners to slide in easily.


**Fig. 14**




### Step 9 - Fit arms to mount brackets

Remove the small bayonet caps fitted to the mount brackets by turning anti-clockwise using the 6mm Hex Key.

- 9.1 Attach the struts to the bottom of the mount brackets as shown using the small bayonet caps. Lock the bayonet caps clockwise using the 6mm Hex Key until a 'click' is felt. **DO NOT OVERTIGHTEN.**

 Disassemble the loosely packed large pivot bush and pivot washer assemblies by loosening the nut and bolt.

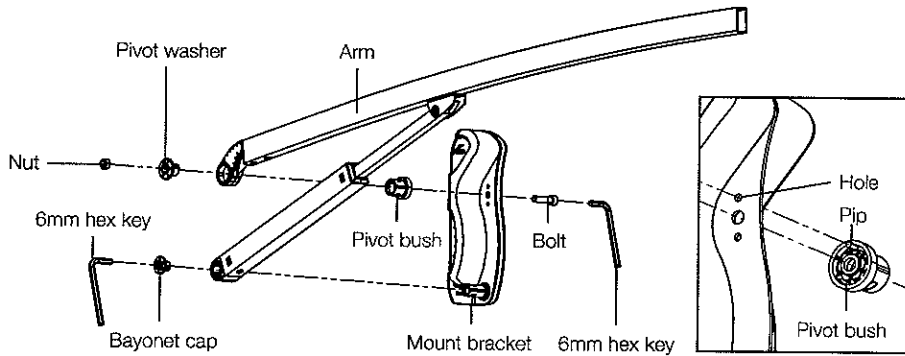
- 9.2 Attach the large pivot bushes and pivot washers to the top of the mount brackets and arms as shown. Locate the lock nut with nylon ring facing outwards fully inside the pivot washer. This may require some tapping to push right in to the bottom.

 Ensure the orientation of the pivot bushes match the picture. On the Duo the outer pip must fit into the lower hole and the inner pip must fit into the upper hole.

- 9.3 Hold components together keeping pips located in holes. Push the bolt through all components and fully tighten using the 6mm Hex Key. Ensure the bolt threads protrude through the nylon of the nut.

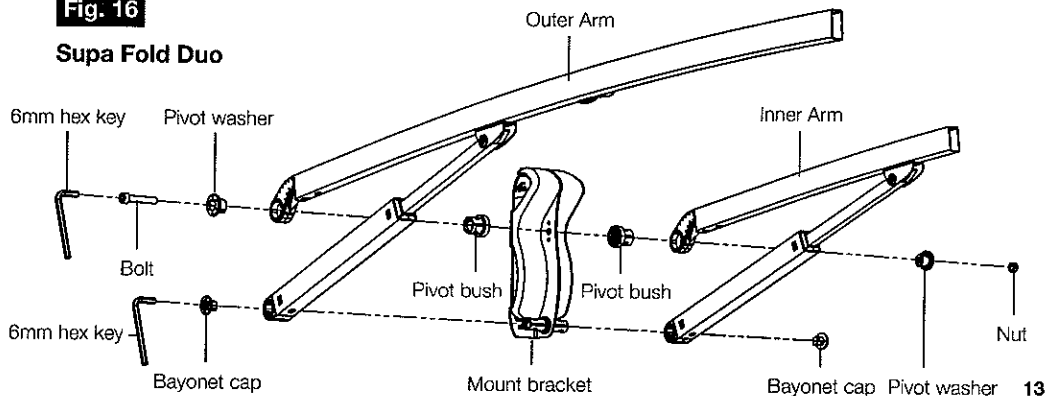
**Fig. 15**

#### Supa Fold Mono, Long Line, Compact Line and Mini Line



**Fig. 16**

#### Supa Fold Duo



## Assembly

### Step 10 - Assemble corners into spreader bar

10.1 Remove corner caps by gently levering with a screwdriver (Fig. 17).

10.2 Insert and secure the corners into both ends of the spreader bar using hex key 5mm (do not overtighten) (Fig. 18).

Fig. 17

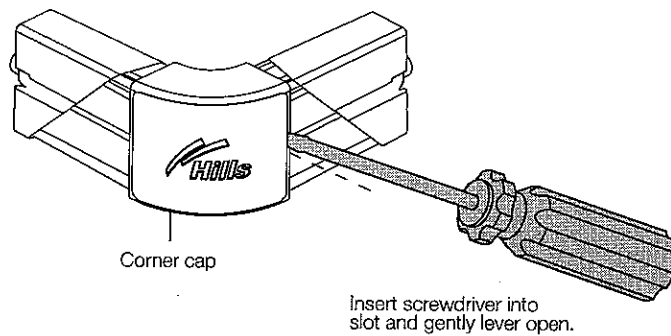
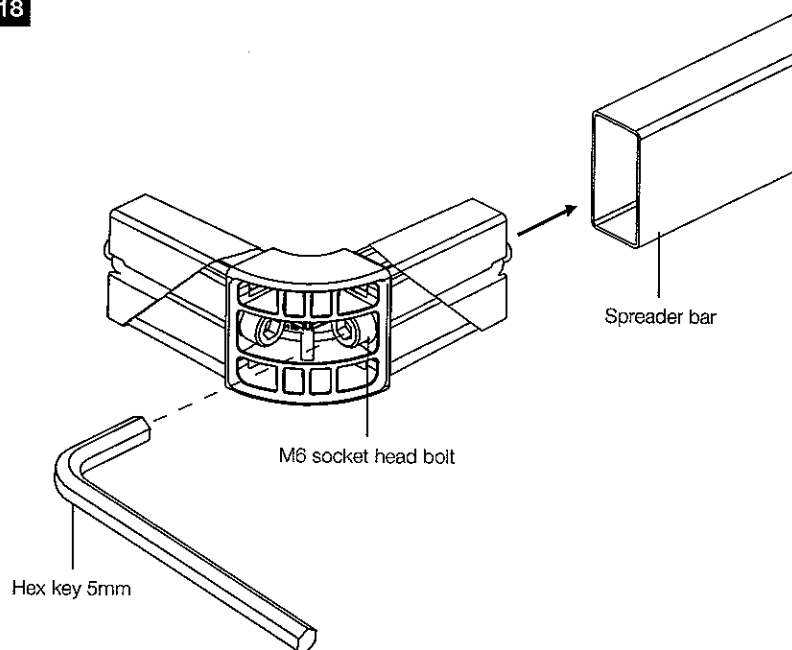


Fig. 18



### Step 11 – Assemble spreader bar to arms

11.1 Lift and rotate each arm up until the strut clicks once to indicate it has engaged, then lower gently to the 'horizontal' position (Fig. 19).

11.2 Insert the spreader bar and corners into the arm ends and secure using hex key 5mm (Fig. 20). **Please note the correct handle orientation.**

11.3 Snap on all corner caps with Hills logo up (Fig. 21).

Fig. 19

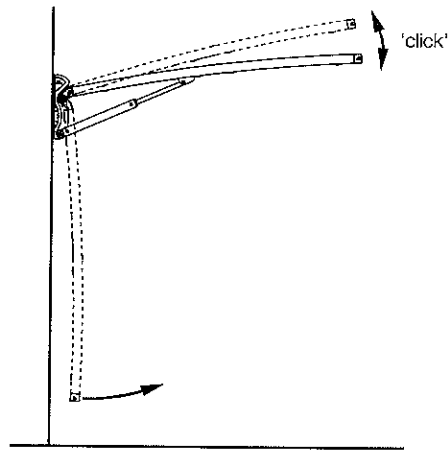


Fig. 20

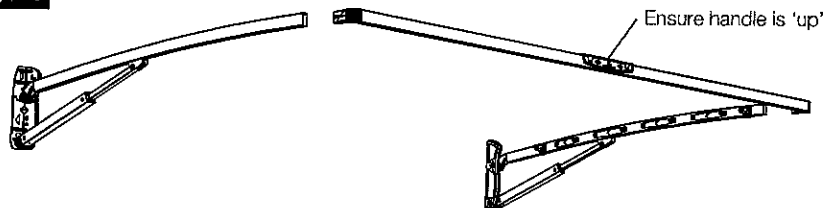
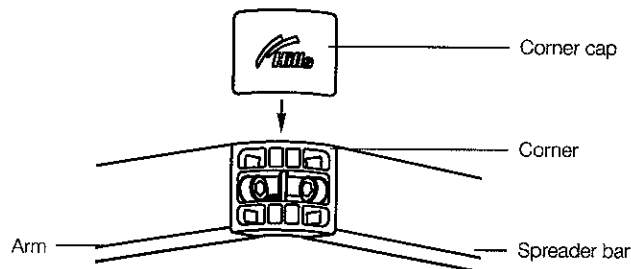


Fig. 21



## Line Assembly

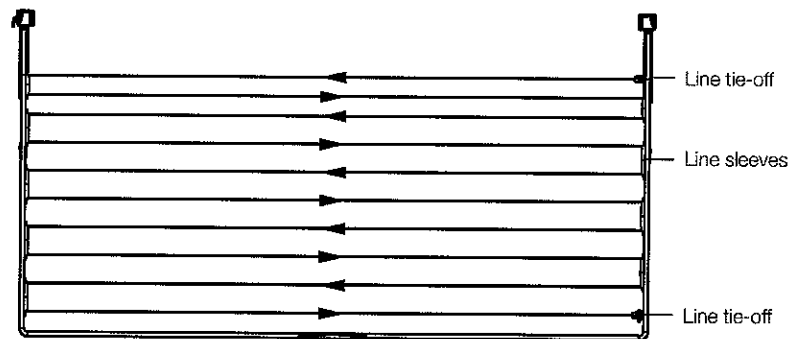
### Step 12 – Attaching the line

Each Supa Fold product has individual line configurations and threading patterns, as shown (Fig. 22).

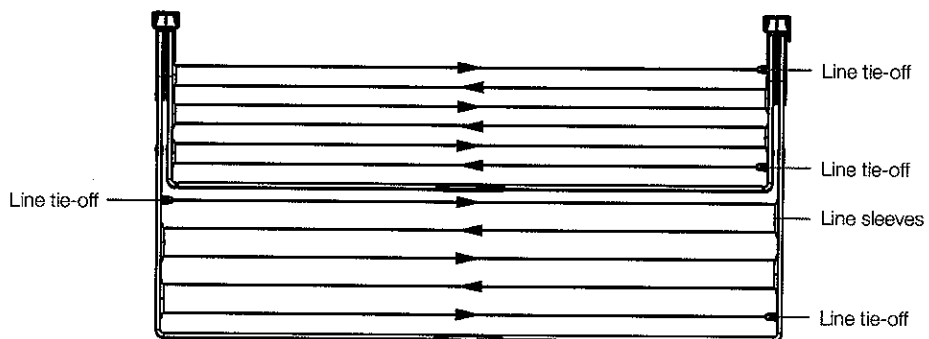
Each line is fastened to a line tie-off, then threaded through the line sleeves and tensioned/fastened to the other line tie-off.

**Fig. 22**

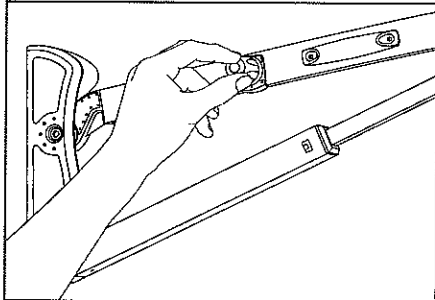
#### Supa Fold Mono, Long Line, Compact Line, Mini Line



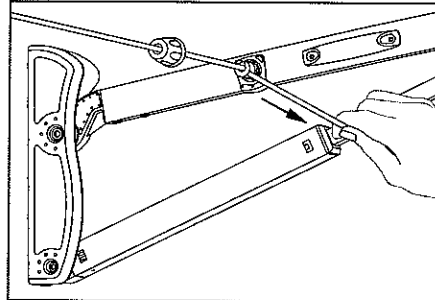
#### Supa Fold Duo



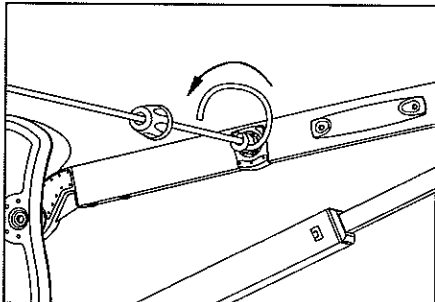
## Step 12 – Continued



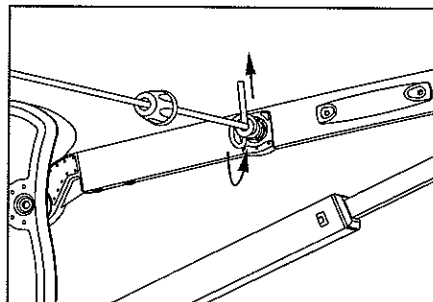
**12.1** Remove the cover cap on the rear line tie-off (if already assembled) by rotating anti-clockwise. Fit the cap onto the end of the line.



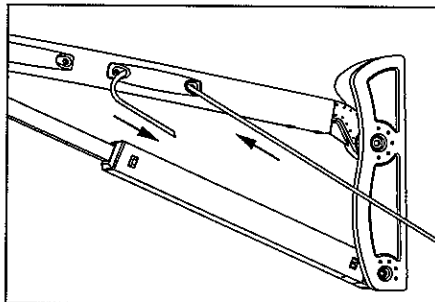
**12.2** Insert the line down through the front slot of the line tie-off as shown, pull approx. 100mm (4") of line through.




**12.3** Loop the line around the rear groove in the tie-off and pull tight, to prevent the line from slipping.

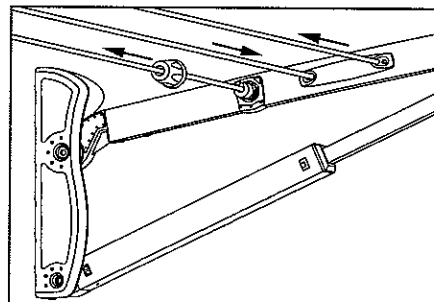


**12.4** Feed the line up and back through the front slot of the tie-off, ensuring it is lying in the groove.




**12.5** Now feed the line through the line sleeves, starting with the rear sleeve on the other arm.

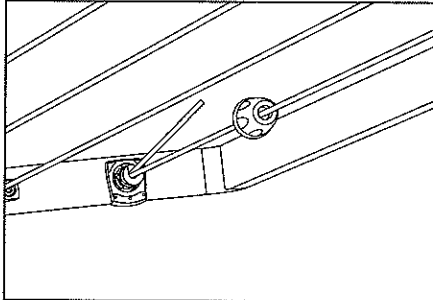
 It is useful to either kink or twist the line when feeding it through the line sleeves to make assembly easier.



**12.6** Continue feeding the line through the line sleeves, ensuring all lines are parallel (refer to **Fig. 16** for the threading pattern for your product).

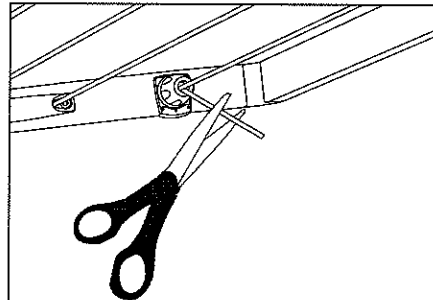
 Cover caps are supplied separately for most models. Mono is the only model that has the cap pre-assembled on to the arms

## Step 12 – Continued



**12.7** Tie off the end of the line to the other tensioner by repeating steps **12.1 – 12.4**.

**12.8** Check the line is tight and adjust if necessary.



**12.9** Feed each end of the line through the cover caps and re-fit them onto the line tie-offs until a slight 'click' is felt. Trim off any extra line flush with the end of the cover cap.



We recommend trimming off excess line after hanging a few loads of washing to allow 'pre-stretch' of line to occur.

If you have a Supa Fold Duo, you will need to repeat this procedure for the inner and outer frames.

### Step 13 – Using your Supa Fold

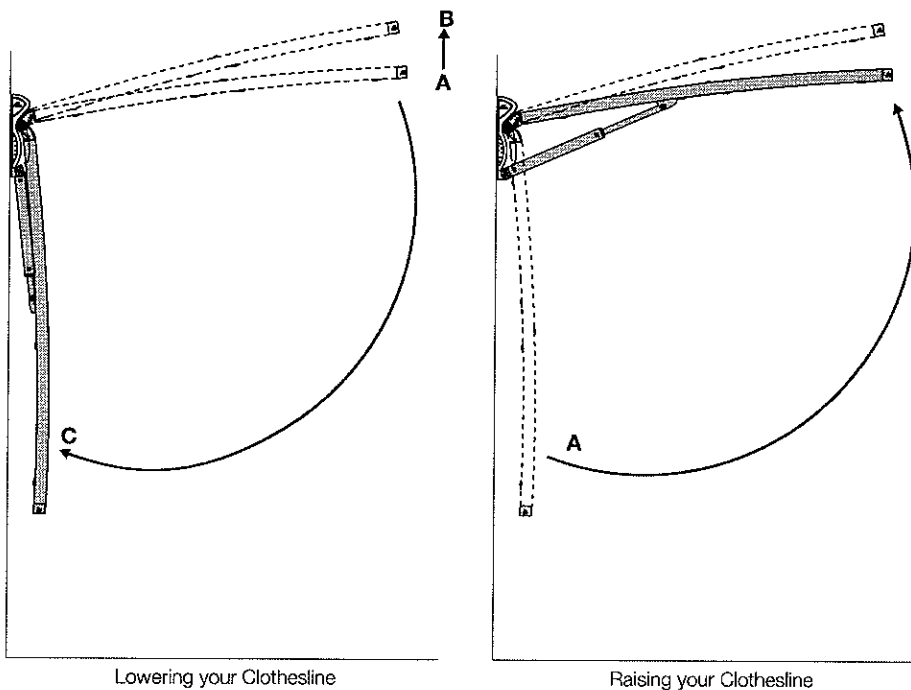
#### To lower the clothesline (Fig. 23)

- A Loosely grip the spreader bar handle.
- B Raise the frame until you hear both struts 'click' once to indicate they have disengaged.
- C Now lower the frame gently to its folded position.

#### To raise the clothesline (Fig. 23)

- A Loosely grip the spreader bar handle.
  - B Pull the frame away from the wall slowly and raise it above your head until you hear both struts 'click' once to indicate they have engaged.
  - C Now lower the frame slightly – if both struts have fully engaged, the frame will be supported squarely.
- If the struts did not engage on both sides repeat the process.

**Fig. 23**



## Care and Maintenance

### Hills Handy Hints

Place smaller items of clothing on the lines nearest to the wall or posts and work your way outwards for larger items.

When you do not expect to fill the capacity of your clothesline, hang your clothes on the outer lines, as this will allow clothes to dry more easily.

### Line Tensioning

To remove any excess 'slack' from the lines, feed the line through the Line Sleeves until desired tension is achieved. Undo and re-tie line as shown in step 12 on pages 17 and 18.



**Do not over tension the line as you may distort the frame.**

### Care and Maintenance

Regularly inspect all components and check for wear and tear or damage. Ensure fasteners are secure. If there is any damage, parts should be replaced with original Hills spares. The Clothesline should be repaired before using again.

Your Clothesline should be periodically wiped clean with a damp cloth and mild detergent.

Your Clothesline should be easy to operate, but if left for a period of time it may become more difficult. It is recommended that the clothesline is raised and lowered regularly.

We do not recommend the use of oil or 'WD' type lubricants on any part of the Clothesline.

Wipe away any dirt and dust from the telescopic struts with a damp cloth once a month. More regularly in dusty conditions.

To maintain appearance and durability of coating on metal components we recommend a twice yearly application of a reputable brand of car polish or wax.

## Hills Guarantee

Hills Industries Limited undertakes that if any part of its manufacture has failed to operate correctly due to faulty workmanship or defective material, it will repair or replace the part free of cost for a period of TEN (10) years from date of purchase of the article, given fair wear and tear. The PVC line is guaranteed for a period of ONE (1) year. Evidence of unfair usage or incorrect adjustment by the owner will void this promise.

Hills Industries Limited will not be responsible for any costs in connection with freight or postage, or for expenditure necessary to dismantle the article, replace the part in position and re assemble the article.

This guarantee is in addition to any legal rights or remedies conferred on the consumer.

Hills Industries Limited does not recommend the application of a 'canopy' on any of their outdoor dryer range.

Unless any addition or attachment to this product has Hills specific approval or is sold as a Hills product the warranty on this product is waived. The product is designed to perform a specific task under established test loads and unauthorised attachments may produce stresses for which the design is not appropriate.

Designs, specifications and colours are subject to change without notice.

Please retain this Owner's Manual. Record the following information from the carton for future reference.

Product Number:.....

Date of purchase:.....

Name and location of store:.....

.....



Designed and tested under a Quality System that meets Hills demanding quality specifications.

Made in China

## Hills Contacts

As a proudly Australian company we are committed to provide you with complete customer satisfaction. If you have questions about this product or find there are missing or damaged parts please contact your nearest Consumer Advice Centre during their local business hours.

### Australia

1300 300 564  
info@hills.com.au

### North America

877 534 1371 (Eastern)  
gsutterlin@verizon.net

### New Zealand

09 262 3052  
sales@hills.co.nz

or visit [www.hills.com.au](http://www.hills.com.au)



**Hills Industries Limited**  
A.B.N. 35 007 573 417

Issue March 2010  
PD2432e