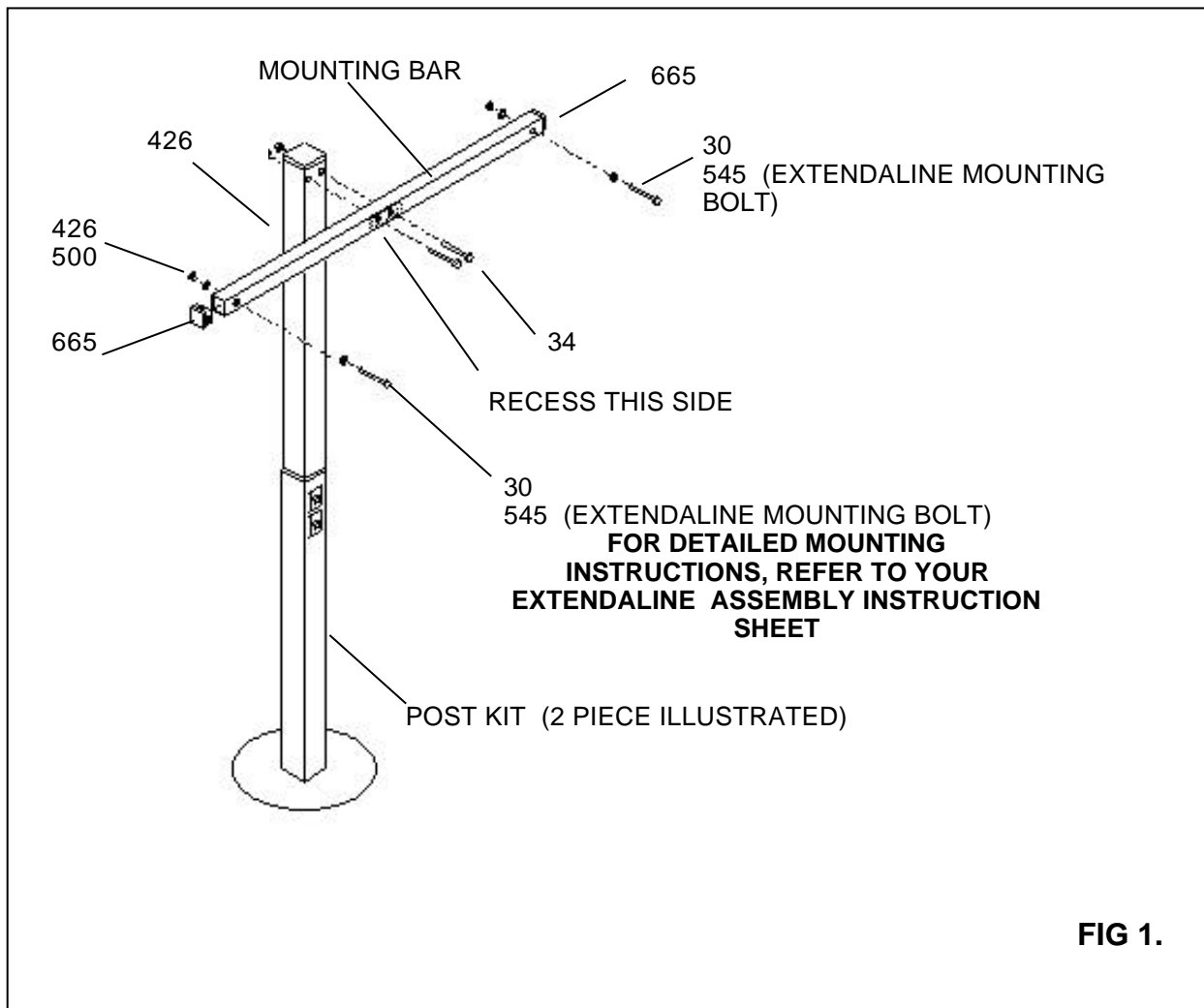




EXTENDALINE MOUNTING BAR INSTALLATION - INSTRUCTION SHEET

IMPORTANT: READ THESE INSTRUCTIONS BEFORE ASSEMBLY AND USE.



EXTENDALINE MOUNTING BAR INSTALLATION INSTRUCTIONS.

- Fit Plugs to the ends of the Mounting Bar. See **FIG 1**.
- Attach Mounting Bar to the top of the Post with bolts **34** and nuts **426** and tighten. The heads of the bolts should be located flush inside the recess. See **FIG 1**.
- Attach the Extendaline Cabinet to the Mounting Bar using bolts **30**, washers **545**, **500** and nuts **426**. Ensure that the washers **545** are fitted **between** the head of bolt **30** and the mounting slot in the Extendaline Cabinet.

NOTE: The Extendaline and the Post are not included in this Mounting Kit.

THE ONE PIECE POST PACK CONTAINS:

I.D.	DESCRIPTION	QTY
30	Bolt - HEX 2" x 5/16" BSW	2
34	Bolt - HEX 3" x 5/16" BSW	2
426	Nut - HEX 5/16" BSW	4
500	Washer - 5/16" x 1" x 14g. flat	2
545	Washer - 5/16" x 5/8" x 18g flat	2
665	Plug - 1" square plastic	2
	Mounting Bar - Saltbush	1