



**Hills** Clotheslines



November 2011

### **Heritage Range**

Fixed Head Hoists	1
-------------------	---

### **Premium Range**

Folding Rotary Hoists	2
Retracting Clotheslines	3
Folding Frame Clotheslines	4

### **Portable Range**

Indoor Clotheslines	6
Clothes Stands	8
Portable Clotheslines	11

### **Everyday Range**

Everyday Range Clotheslines	9
-----------------------------	---

### **Accessories**

Clothesline Accessories	13
-------------------------	----

### **Selection and Installation**

Clothesline Selection	17
Clothesline Installation	18



# HERITAGE RANGE Fixed Head Hoists



## Heritage™ Hoists

The iconic Hills Hoists. Heritage hoist is a galvanized steel and aluminum, fixed place clothesline for those with large washing requirements and room to spare.

### Heritage Hoist 6 \$442.67

- Total line space 213ft (65m)
- Diameter of head 20ft (6m)
- Minimum yard space required 26ft (8m)

### Heritage Hoist 5 \$412.50

- Total line space 161ft (49m)
- Diameter of head 16ft (5m)
- Minimum yard space required 20ft (6m) diameter

### Heritage Hoist 4 N/A

- Total line space 131ft (40m)
- Diameter of head 13ft (4m)
- Minimum yard space required 16ft (5m) diameter

Prod. #	Prod. Name	Hoist Color	Line Color	EAN Code	Weight
FD52802	Heritage Hoist 6	Galvanized	Galvanized	9311313204773	73 lb (33kg)
FD52706	Heritage Hoist 5	Galvanized	Galvanized	9311313201352	62 lb (28kg)
FD52600	Heritage Hoist 4	Galvanized	Galvanized	9311313201345	53 lb (24kg)



## Plus Pack For Rotary Hoist

Upgrade your rotary hoist with extra value products. The Plus Pack includes:

- Simple-to-use Umbrella Adapter converts your hoist ground socket into a support for garden umbrella
- Water resistant Rain Bag provides additional weather protection for your rotary hoist
- Pack of 20 ultra premium Smart Pegs™
- Sturdy storage case for safe and convenient storage of umbrella adapters
- Wall brackets allow hoist to be stored neatly onto a wall keeping everything safely in its place

Prod. #	Prod. Name	EAN Code	Price
FD86050	Plus Pack	9311313221428	<b>\$91.95</b>
FD903548	Rain Bag	9311313295092	<b>\$35.99</b>
FD903549	Wall Mount Bracket	9311313295108	<b>\$26.95</b>
FD86160	Umbrella Socket Adapter	9311313208108	<b>\$48.60</b>



# PREMIUM RANGE Folding Rotary Hoists



## Rotary 8

**\$295.99**

- The largest removable clothes hoist
- Specially designed for durability and strength
- Massive 183ft (56m) of line holds the largest family wash
- Head Diameter = 13.1ft (4.1m)
- Individual line sections for easy replacement
- When not in use can be folded umbrella-style and removed from ground socket (included)
- 10 year peace-of-mind guarantee

Product #	Product Name	Unit Color	Line Color	EAN Code	Weight
FD86028	Rotary 8	Forest Glade	Grey	9311313222692	40 lb (18kg)
FD86030	Rotary 8	Ocean Breeze	Grey	9311313222708	40 lb (18kg)



## Rotary 7

**\$261.99**

- Medium size removable clothes hoist
- Specially designed for durability and strength
- Huge 151ft (46m) of line holds a large family wash
- Head Diameter = 12.1ft (3.7m)
- Individual line sections for easy replacement
- When not in use can be folded umbrella-style and removed from ground socket (included)
- 10 year peace-of-mind guarantee

Product #	Product Name	Unit Color	Line Color	EAN Code	Weight
FD88002	Rotary 7 S3	Forest Glade	Grey	93113132204810	37 lb (17kg)
FD86034	Rotary 7	Ocean Breeze	Grey	9311313222852	37 lb (17kg)



## Rotary 6

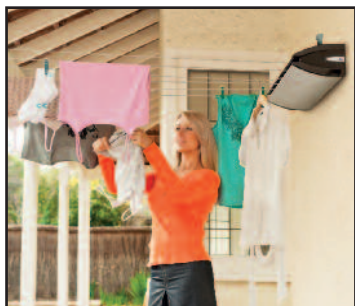
**\$243.99**

- The most compact removable hoist
- Specially designed for durability and strength
- Generous 105ft (32m) of line holds a medium family wash
- Head Diameter = 9.8ft (3.1m)
- Individual line sections for easy replacement
- When not in use can be folded umbrella-style and removed from ground socket (included)
- 10 year peace-of-mind guarantee

Product #	Product Name	Unit Color	Line Color	EAN Code	Weight
FD86036	Rotary 6	Forest Glade	Grey	9311313222739	35 lb (16kg)
FD86038	Rotary 6	Ocean Breeze	Grey	9311313222746	35 lb (16kg)



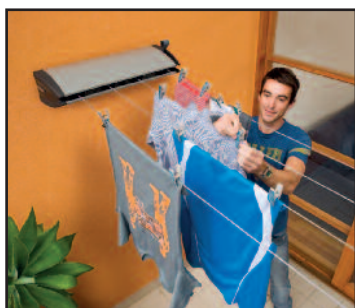
# PREMIUM RANGE Retracting Clotheslines



## Extenda 6 \$130.95

- 6 lines extend easily and retract out of sight
- Takes all sheet sizes
- Rust resistant powder-coated steel cabinet
- Individual line tensioning with individual spools
- No line tangling and even line tension
- Two tension setting for fine control
- Ready for wall to wall installation\*
- Cabinet measures 33.8in (86cm) W x 5.1in (13cm) H x 9in (23cm) D
- Wide 5.7in (15cm) line spacing for easy pegging and improved drying
- 128ft (39m) of line space for full size family wash
- Max. line extension 21ft (6.5m) minimum 13ft (4m)  
\* wall anchors not included

Product #	Product Name	Cabinet Color	Line Color	EAN Code	Weight
FD51036	Extenda 6	Granite Pearl	Grey	9311313222340	15 lb (6.3kg)



## Extenda 4 \$108.75

- 4 lines extend easily and retract out of sight
- Rust resistant powder-coated steel cabinet
- Individual line tensioning with individual spools
- No line tangling and even line tension
- Two tension settings for fine control
- Ready for wall to wall installation\*
- Cabinet measures 24in (61cm) W x 5.1in (13cm) H x 9in (23cm) D
- Wide 5.7in (15cm) line spacing for easy pegging and improved drying
- 85ft (26m) of line space for medium size family wash
- Max. line extension 21ft (6.5m) minimum 13ft (4m)  
\* wall anchors not included

Product #	Product Name	Cabinet Color	Line Color	EAN Code	Weight
FD51038	Extenda 4	Granite Pearl	Grey	9311313222357	10 lb (4.6kg)

### Installation options

**Wall to Wall**  
YOU WILL NEED

- 1 Extenda 4 or 6

**Post to Post**  
YOU WILL NEED

- 1 Extenda 4 or 6
- 2 x Post Kit
- 1 x Mount Bar

**Post to Wall**  
YOU WILL NEED

- 1 Extenda 4 or 6
- 1 x Post Kit
- 1 x Mount Bar

**Wall to Post**  
YOU WILL NEED

- 1 Extenda 4 or 6
- 1 x Post Kit

### Accessories for installation

Prod. #	Model	Price
FD51016	Mount Bar - Extenda 6	<b>\$20.00</b>
FD51008	Mount Bar - Extenda 4	<b>\$18.00</b>
FD51042	Extenda 4 Mount Plate	<b>\$25.60</b>
FD51040	Extenda 6 Mount Plate	<b>\$30.50</b>
FD51006	Two Piece Post Kit	<b>\$88.00</b>
FD51012	Retracting line Socket (1)	<b>\$17.00</b>



# PREMIUM RANGE

## Folding Frame Clotheslines

Folding Frame Clotheslines



### Supa Fold Duo (Advantage) **\$236.99**

- Dual frame - both frames fold down
- Small frame for small loads, both frames for large
- Stylish good looks
- Fast and easy to assemble and install
- Suitable for indoor and outdoor use
- Over 75ft. (23m) of line space
- Total frame size 7.2ft. (2.2m) x 4ft. (1.2m)
- Optional post kit for ground mounting
- Wall anchoring hardware NOT included
- 10 year peace-of-mind guarantee

Product #	Product Name	Unit Color	Line Color	EAN Code	Weight
FD45500	Supa Fold Duo	Pebble Beach	Gunmetal	9311313236088	29 lb (13kg)
FD45401	Supa Fold 230 Adv.	Midnight Sky	Gunmetal	9311313221619	29 lb (13kg)



### Supa Fold Mono **\$164.95**

- Single frame folds down
- Stylish good looks
- Fast and easy to assemble and install
- Suitable for indoor and outdoor use
- Over 69ft (21m) of line space
- Total frame size 7.2ft. (2.2m) x 4ft. (1.2m)
- Optional post kit for ground mounting
- Wall anchoring hardware NOT included
- 10 year peace-of-mind guarantee

Product #	Product Name	Unit Color	Line Color	EAN Code	Weight
FD45505	Supa Fold Mono	Pebble Beach	Paperbark	9311313222630	20 lb (9kg)
FD45506	Supa Fold Mono	Midnight Sky	Gunmetal	9311313222647	20 lb (9kg)



### Supa Fold 190 **\$170.99**

- Designed for tighter access spaces
- Long narrow frame folds down
- Fast and easy to assemble and install
- Suitable for indoor and outdoor use
- Over 62.3ft. (19m) of line space
- Total frame size 11ft. (3.3m) x 2ft. (0.6m)
- Optional long post kit for ground mounting
- Wall anchoring hardware NOT included
- 10 year peace-of-mind guarantee

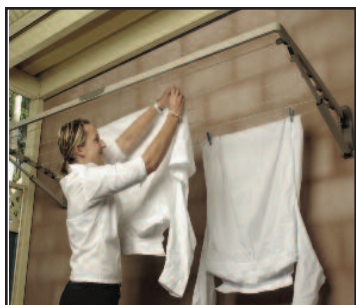
Product #	Product Name	Unit Color	Line Color	EAN Code	Weight
FD45407	Supa Fold 190	Pebble Beach	Paperbark	9311313221671	18 lb (8kg)





## PREMIUM RANGE

# Folding Frame Clotheslines



### Supa Fold 120

**\$138.95**

- Single frame folds away
- Fast and easy to assemble and install
- Over 39ft (12m) of line space
- Total frame size 7.2ft (2.2m) x 2ft (0.6m)
- Optional long post kit for ground mounting
- Wall anchoring hardware NOT included
- 10 year peace-of-mind guarantee

Product #	Product Name	Unit Color	Line Color	EAN Code	Weight
FD45408	Supa Fold 120	Pebble Beach	Paperbark	9311313221688	15 lb (7kg)



### Supa Fold Mini Line

**\$124.95**

- Formerly the Supa Fold 70
- Single frame folds away
- Ideal for indoor and outdoor use
- Fast and easy to assemble and install
- Provides 23ft (7m) of line space
- Total frame size 4ft (1.2m) x 2ft (0.6m)
- Wall anchoring hardware NOT included
- 10 year peace-of-mind guarantee

Product #	Product Name	Unit Color	Line Color	EAN Code	Weight
FD45509	Supa Fold Mini Line	Pebble Beach	Paperbark	9311313222678	13 lb (6kg)



### Folding Frame Accessories

Product #	Product Name	Unit Color	EAN Code	Price
FD45425	Post Kit - Standard	Pebble Beach	9311313222074	<b>\$108.95</b>
FD45426	Post Kit - Standard	Midnight Sky	9311313222081	<b>\$108.95</b>
FD45428	Post Kit - Long Line	Pebble Beach	9311313222104	<b>\$117.95</b>
FD45420	Post Kit - Adjustable	Pebble Beach	9311313221701	<b>\$138.95</b>
FD45421	Post Kit - Adjustable	Midnight Sky	9311313221718	<b>\$138.95</b>
FD45423	Post Kit - Adjustable Long	Pebble Beach	9311313221732	<b>\$146.20</b>
FD45430	Ground Socket Adjustable	Pebble Beach	9311313221749	<b>\$ 27.95</b>
FD40388	Ground Socket Standard	Pebble Beach	9311313201314	<b>\$ 24.00</b>



## PORTABLE RANGE

# Indoor Clotheslines



### Expanding Indoor Clothesline **\$53.00**

- Ideal for large loads 49.5ft (15m) of line drying space
- Sturdy construction for stability under load
- Folds out for extra drying
- Expanded dimensions 37.4in (95cm) high x 68.5in (174cm) wide x 22in (56cm) deep
- Folds flat for easy storage
- Lightweight

Product #	Product Name	Color	EAN Code	Weight
FE110036	Expanding Indoor Clothesline	Silver	9311313208214	11 lb (4.8kg)



### Mobile Indoor Clothesline **\$56.20**

- 43.3ft (13.2m) of drying space
- Easily wheels when full of wash
- Conveniently folds for easy storage
- Expanded dimensions - 57.1in (145cm) high x 29.1in (74cm) wide x 29.1in (74cm) deep
- Closed - 57.1in (145cm) high x 29.5in (75cm) wide x 3.1in (8cm) deep

Product #	Product Name	Color	EAN Code	Weight
FE110002	Mobile Indoor Clothesline	Silver	9311313208160	13.2 lb (6kg)



### Indoor Clothesline **\$40.00**

- 26.5ft (8m) of drying space
- Compact and convenient drying space
- Sturdy construction for stability under load
- Expanded dimensions - 37.4in (95cm) high x 41in (104cm) wide x 22in (56cm) deep
- Closed - 53.5in (135.9cm) high x 22in (56cm) wide x 3in (7.6cm) deep
- Folds flat for convenient storage

Product #	Product Name	Color	EAN Code	Weight
FE110028	Indoor Clothesline	Silver	9311313208221	7.5 lb (3.4kg)





### 3 Tier Mobile Airer \$58.60

- Suits a wide range of garments. Wire shelves drop down to accommodate long items of clothing
- Conveniently folds for storage
- Durable White painted finish
- 52.2in (132.5cm) high x 26.8in (68cm) wide x 1.4in (3.5cm) deep - closed
- 52.2in (132.5cm) high x 26.8in (68cm) wide x 26.8in (68cm) deep
- Drying capacity 68.9ft (21m)

Product #	Product Name	Color	EAN Code	Weight
BE69000	3 Tier Mobile Airer	White	9311313208207	11 lb (4.8kg)



### A-Frame Clothes Airer \$46.40

- Suits a wide range of garments. Wire shelves drop down to accommodate long items of clothing
- Durable white painted finish
- Folds away for easy storage
- 51.1in (140cm) high x 51.2in (130cm) long x 23.6in (60cm) wide - open
- 44.1in (112cm) high x 23.6in (60cm) long x 3.1in (8cm) wide - closed
- Total line space 69ft (21m)

Product #	Product Name	Color	EAN Code	Weight
BE4000	A-Frame Clothes Airer	Silver	9311313208382	9 lb (4.1kg)



### Laundry Trolley \$53.00

- Light weight foldaway laundry trolley
- Made for easy transport of laundry to clothesline
- Will hold most square or oval baskets
- Heavy duty wheels - 5.5in (14cm) in diameter
- 46in (116.8cm) high x 16in (40.6cm) wide x 6in (15.2cm) deep - closed
- 35.8in (91cm) high x 16.9in (43cm) wide x 25.2in (64cm) deep

Product #	Product Name	Color	EAN Code	Weight
FD106874	Laundry Trolley	Grey	9311313208108	8 lb (3.7 kg)



# PORTABLE RANGE Clothing Stands

Indoor Clotheslines



## Mobile Clothes Stand

**\$31.95**

- Large hanging space at your fingertips
- Great help when ironing clothes
- Holds up to 25 clothes hangers
- Easy to move when fully loaded
- Handy laundry basket rack
- Easily disassembles for easy storage
- Dimensions: Height: 59in (150cm) x width 25in (64cm) x depth 16.5in (42cm)

Product #	Product Name	Unit Color
FE110010	Mobile Clothes Stand	Granite Pearl



## Folding Clothes Stand

**\$18.95**

- Better than 12 door knobs
- Holds 12 clothes hangers
- Portable - easily moved between rooms
- Helpful aid during ironing
- Ideal as temporary wardrobe
- Holds up to 12 clothes hangers
- Fold flat for easy storage
- Durable powder coat finish
- Dimensions: height: 55in (140cm) x width 22.8in (58cm) x Depth; 17in (44cm)
- Weight: 2.8lbs (1.3kg)

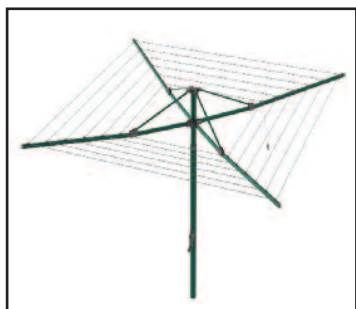
Product #	Product Name	Unit Color
FE112514	Folding Clothes Stand	White



EVERYDAY RANGE

# Hills Everyday Clotheslines

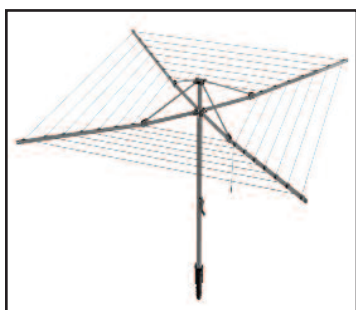
Everday Clotheslines



## Hills Everyday Rotary Villa 37 \$189.99

- Pre-wired and easy to install
- Color - Norfolk Pine (Green)
- 121ft (37m) of clothesline for a medium family's wash
- Powder-coated galv. steel for strength and durability
- Arms fold up when not in use; unit may be removed from the ground
- Head diameter 10.6ft (3.2m), allow 3.2 ft (1m) clearance
- 10 year peace-of-mind guarantee

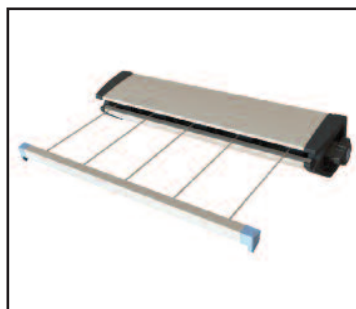
Product #	Product Name	Unit Color	EAN Code	Weight
FD88010	Rotary 37	Norfolk Pine Green	9311313222937	35 lb (16kg)



## Hills Everyday Rotary Villa 47 \$209.99

- Pre-wired and easy to install
- Color - Granite Pearl (grey)
- 154 ft (47m) of clothesline for a large family's wash
- Powder-coated galv. steel for strength and durability
- Arms fold up when not in use; unit may be removed from the ground
- Head diameter 11.9ft (3.6m), allow 3.2 ft (1m) clearance
- 10 year peace-of-mind guarantee

Product #	Product Name	Unit Color	EAN Code	Weight
FD88013	Rotary 47	Granite Pearl Grey	9311313222968	35 lb (16kg)



## Hills Everyday 5 Retracting Line \$92.50

- 5 lines extend easily and retract out of sight
- Assembled and simple to install
- 105 feet (32m) of clothesline for a medium-size family's wash
- Max line extension 21.3ft (6.5m), min 6.6ft (2m)
- Optional post kit for ground mounting
- Handles all sheet sizes and quilts
- 10 year peace-of-mind guarantee

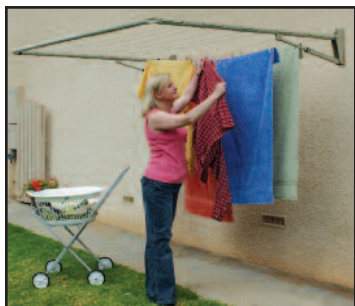
Product #	Product Name	Unit Color	EAN Code	Weight	Price
FD52007	Everyday 5	Autumn Stone	9311313223552	11 lb (5kg)	\$92.50
FD51006	Post Kit	Autumn Stone	9311313236408	19 lb (8.5kg)	\$88.00
FD52008	Mount Bar	Autumn Stone	9311313223668	2.2 lb (1kg)	\$20.00



EVERYDAY RANGE

# Hills Everyday Clotheslines

Everyday Clotheslines



## Traditional Single Folding Frame

- 72ft (22m) of line space
- Single folding frame
- Frame size 5ft (1.6m) x 7.5ft (2.3m)
- Post kit available for ground mounting
- 7 year guarantee

**\$120.95**

Product #	Product Name	Unit Color	Line Color	EAN Code	Weight
FD45350	Single Folding Frame	Salt Bush	Paperbark	9311313222418	20 lb (9kg)

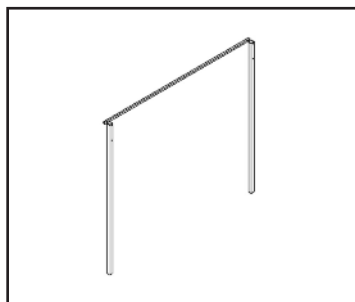


## Paraline Duo Plus

- Dual frame - both frames fold down
- Small frame for small loads, both frames for large
- 10 lines = 75ft (23m) of line space
- Total frame size 7.2ft. (2.2m) x 5ft. (1.5m)
- Inner frame 2.4ft (72cm) x 7.1 ft (213 cm); outer frame 5.1ft (156cm) x 7.2ft (220cm)
- Customizable width of folding frame
- Post kit available for ground mounting
- 7 year guarantee

**\$185.50**

Product #	Product Name	Unit Color	Line Color	EAN Code	Weight
FR71003	Paraline Duo Plus	Salt Bush	Paperbark	9311313221510	31 lb (14kg)



## Paraline Ground Mount Conversion Kit

**\$92.00**

- For mounting your Paraline Mono and Duo Plus Clothesline in your yard, rather than on a structure
- Powder-coated steel
- Color-matched to the Traditional Single Folding Frame and Paraline Duo Plus Salt Bush
- To be mounted in ground with gravel base (for drainage) and concrete, or for use with Paraline Ground Mount Socket Kit (FR40388)
- Post dimensions: 1.73in x 1.73in x 88.3in; cross brace dimensions: 0.87in x 0.87in x 88.3in
- 1 Year Guarantee

Product #	Product Name	Unit Color	Line Color	EAN Code	Weight
FR71008	Ground Mount Conversion Kit	Salt Bush	--	9311313221565	--



# PORTABLE RANGE

## Portable Clotheslines

Portable Clotheslines



### Portable 170 \$189.95

- Ideal for summer and winter drying
- Fits almost anywhere around the home
- Light and easy to move; folds away for flat storage
- Quick and easy self-assembly
- Non-slip, non-marking feet; balcony tether strap
- Wall-mount and over-door bracket
- Integrated coat hanger hooks
- Bonus pack of 10 Hills Pegs
- 3 year guarantee
- Assembled dimensions 7.9ft (240cm) long 2.6ft (79cm) wide (at feet) x 4.9ft (149cm) high

Product #	Product Name	Color	EAN Code	Line Space
FD12000	Portable 170 (large)	Granite Pearl	9311313222302	56 ft (17m)



### Portable 120 \$169.95

- Ideal for summer and winter drying
- Fits almost anywhere around the home
- Light and easy to move; folds away for flat storage
- Quick and easy self-assembly
- Non-slip, non-marking feet; balcony tether strap
- Wall-mount and over-door bracket
- Integrated coat hanger hooks
- Bonus pack of 10 Hills Pegs
- 3 year guarantee
- Assembled dimensions 6.9ft (210cm) long x 2.3ft (70cm) wide (at feet) x 4.3ft (130cm) high

Product #	Product Name	Color	EAN Code	Line Space
FD12001	Portable 120 (medium)	Granite Pearl	9311313222319	39 ft (12m)



### Cordomatic Single Line Coming Soon

- Rust resistant finish
- Large capacity
- Easy to install
- Retractable 49ft (15m) line length
- Suitable for indoor or outdoor use
- Fixings are provided

Product #	Product Name	Unit Color	EAN
BE4001	Hills Cordomatic	White	9311313208399



## ACCESSORIES

# Clothespin Bags



### Hills Smart Pegs™

**\$23.95**

- Stylish contemporary clothes pegs (pins)
- Dual molded for comfort and grip
- UV stabilized to endure sun exposure
- Rust-proof stainless steel spring
- Box of 50 in mix of Forest Glade and Ocean Breeze
- 1 year guarantee

Product #	Product Name	Unit Color
FD86058	Hills Pegs Box of 50	Mixed



### American Flag Peg Bag

**\$19.95**

- Clothespin bag with American Flag design
- Made of heavy duty duck fabric (600 denier polyester)
- 17in (43.2cm) high x 12in (30.5cm) wide
- Made in the USA

Product #	Product Name	Unit Color
SCPBF5	American Flag Peg Bag	Red white and Blue



### Green Peg Bag

**\$19.95**

- Solid green material
- Made of heavy duty duck fabric (600 denier polyester)
- 17in (43.2cm) high x 13in (33cm) wide
- Made in the USA

Product #	Product Name	Unit Color
SCPBG01	Green Peg Bag	Green





### Clothespin Bag - Green \$20.97

- Handmade in Pennsylvania
- High “neckline” for containment of pins (pegs)
- Size approximately 16in (40.6cm) wide (at shoulders) x 17in (43.2cm) long
- Bag is green; apron patterns vary

Product #	Product Name	Unit Color
CBG080808	Clothespin Bag - Green	Green



### Clothespin Bag-Burgundy \$20.97

- Handmade in Pennsylvania
- High “neckline” for containment of pins (pegs)
- Size approximately 16in (40.6cm) wide (at shoulders) x 17in (43.2cm) long

Product #	Product Name	Unit Color
CBR052008	Clothespin Bag - Burgundy	Burgundy



### Clothespin Bag- Blue \$20.97

- Handmade in Pennsylvania
- High “neckline” for containment of pins (pegs)
- Size approximately 16in (40.6cm) wide (at shoulders) x 17in (43.2cm) long

Product #	Product Name	Unit Color
CBB052008	Clothespin Gag - Blue	Blue



## ACCESSORIES

# Clothespin Bags



### Clothespin Bag - Wide Pocket \$18.00

- Handmade in Lancaster County, PA
- Wide pocket Clothespin Bag
- Designed to accommodate 100 Hills Pegs
- Mid-weight fabric has decorative pattern
- Measurement approximately 14in (35.6cm) long x 12in (30.5cm) wide at pocket
- Pattern varies

Product #	Product Name	Unit Color
CJLC309	Clothespin Bag - Wide Pocket Pattern	Pattern



### Clothespin Bag - Wide Pocket \$16.00

- Handmade in Lancaster County, PA
- Wide pocket Clothespin Bag
- Designed to accommodate 100 Hills Pegs
- Natural color
- Measurement approximately 14in (35.6cm) long x 12in (30.5cm) wide at pocket

Product #	Product Name	Unit Color
CJLP309	Clothespin Bag - Wide Pocket	Natural



### Wide Pocket Shoulder Clothespin Bag \$21.95

- Handmade in Lancaster County, PA
- Wide pocket Clothespin Bag with over-the-shoulder strap
- Strap means pegs are always with you wherever you are on the line
- Natural color
- Measures approximately 12in (30.5cm) wide by 14in (35.6cm) high with adjustable strap

Product #	Product Name	Unit Color
CJLWS10	Clothespin Bag - Wide Pocket	Natural



# ACCESSORIES

## Clothesline Accessories

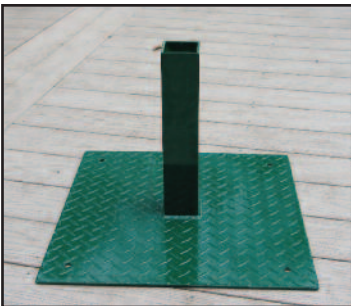


### Hills/Breezedryer.com Reusable Shopping Bag

**\$7.00**

- "The Original Online Experience"
- Made of durable and washable polyester
- Stuffs into built-in pouch
- Unstuffs into full size shopping bag
- Holds up to 40lbs
- Shoulder length straps
- Easily fits into pocket or purse
- Machine wash cold and hang dry

Product #	Product Name	Peg Color	Quantity	EAN Code
FD86058	Hills Smart Pegs	Mixed	50	9311313221466



### Rotary Deck/Patio Plate

**\$99.95**

- Designed for use with the Rotary Hoist
- Sturdy, lightweight aluminum
- Deck or patio applications (must be fastened and secured to sturdy solid surface)
- Install neck up or neck down (for flush application)
- Color - Green
- Dimensions: Plate - 20in (50.8cm) x 20in (50.8cm) x 14in (35.6cm), plate and tube - 3/16in (4.8mm)
- Hardware not included (varies by installation)

Product #	Product Name	Unit Color	Weight
FD1212	Rotary Deck/Patio Plate	Green	10 lbs (4.5kg)



# ACCESSORIES

## Clothesline Accessories



### Clothes Line - Rotary Hoist

Product #	Product Name	Length	Color	EAN Code
FD903530	Line Replacement Pk	70m	Grey	9311313294910
FD903531	Line Repair Pack	20m	Grey	9311313294927

### Clothes Line - Supa Fold

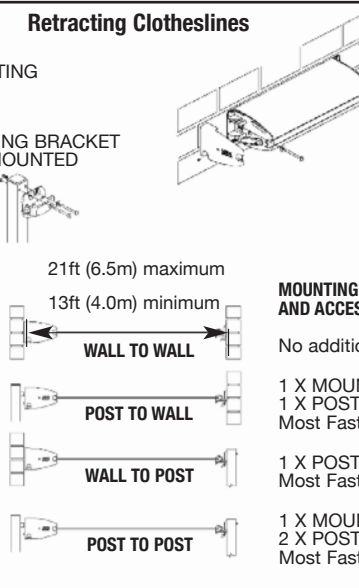
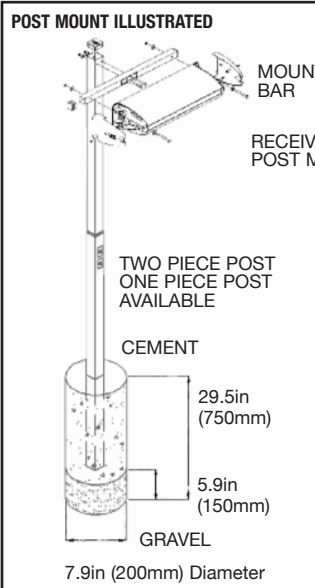
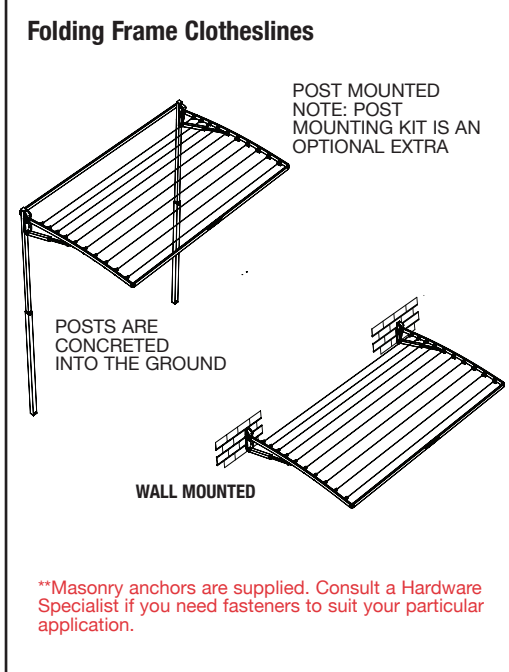
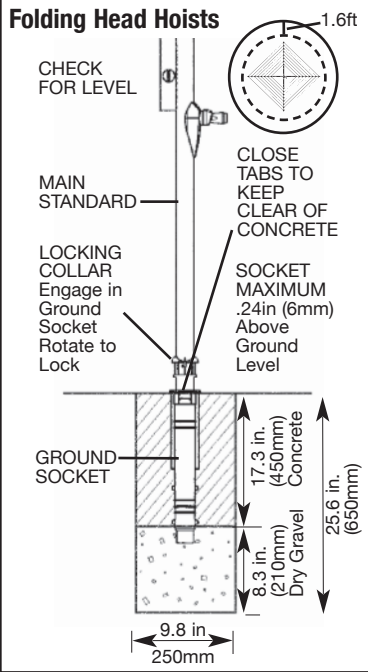
Product #	Product Name	Length	Color	EAN Code
FD902039	Line Replacement Pk	30m	Gun Metal	9311313295443
FD902040	Line Repair Pack	20m	Paperback	9311313295450
FD902041	Line Repair Pack	15m	Gunmetal	9311313295467
FD902042	Line Repair Pack	15m	Paperback	9311313295474



### Ground Socket - Rotary Hoists **\$24.95**

Product #	Product Name	Color	EAN Code
FD903532	Ground Socket	Grey	9311313294934

## How to install your clothesline



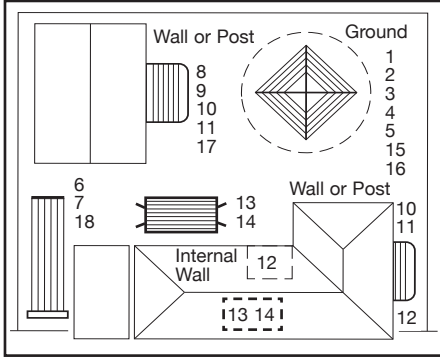
**POST INSTALLATION DETAILS**  
Optional Ground Socket Available

**\*\*Masonry anchors are supplied. Consult a Hardware Specialist if you need fasteners to suit your particular application.**

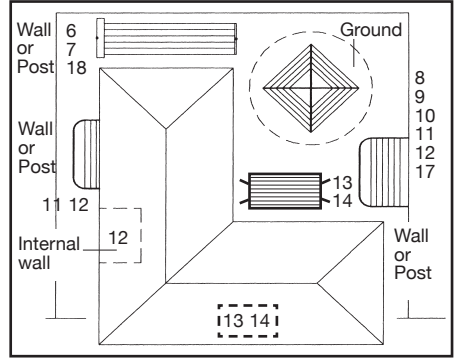


# Clothesline Selection

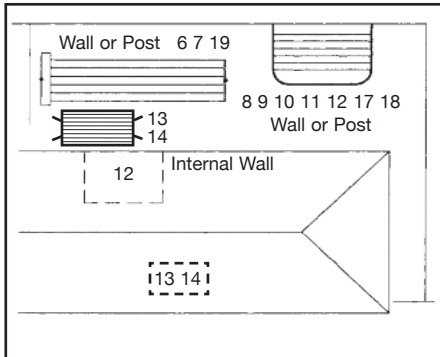
## How to select your clothesline



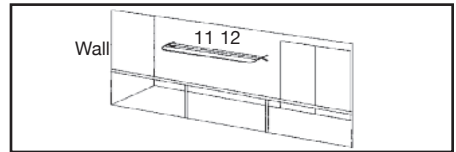
**Large Suburban Block**



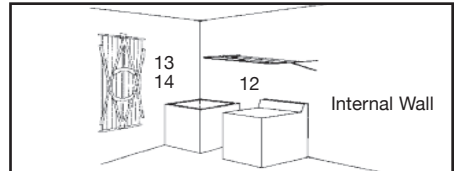
**Compact Style**



**Town House/Condo/Apartment**



**Balcony**



**Laundry/Bathroom**

Key	Model	Dimensions	Space Required
1	Rotary 8	13.1ft (4.0m) head diameter	16.4ft (5.0m) diameter
2	Rotary 7	11.8ft (3.6m) head diameter	14.8ft (4.5m) diameter
3	Rotary 6	9.8ft (3m) head diameter	13.1ft (4.0m) diameter
4	Heritage Hoist 5	16.4ft (5.0m) head diameter	19.7ft (6.0m) diameter
5	Heritage Hoist 6	19.7ft (6.0m) head diameter	25.6ft (7.8m) diameter
6	Extenda 6	33.8in (.86m) x 5.1in (.13m) x 9in (.23m)	13ft (4m) min - 21ft (6.5m) max
7	Extenda 4	24in (.61m) x 5.1in (.13m) x 9in (.23m)	13ft (4m) min - 21ft (6.5m) max
8	Supa Fold Duo (Adv.)	7.2ft (2.2m) x 3.9ft (1.2m)	7.2ft (2m) x 7.9ft (2.4m)
9	Supa Fold Mono	7.2ft (2.2m) x 3.9ft (1.2m)	7.2ft (2m) x 7.9ft (2.4m)
10	Supa Fold 190	11ft (3.3m) x 2.6ft (0.8m)	11.1ft (3.4m) x 3.9ft (1.2m)
11	Supa Fold 120	7.2ft (2.2m) x 2.6ft (0.8m)	7.5ft (2.3m) x 3.9ft (1.2m)
12	Supa Fold Mini	4.0ft (1.2m) x 2.6ft (0.8m)	4.6ft (1.4m) x 2.6ft (1.4m)
13	Portable 170	7.9ft (2.4m) x 2.6ft (0.8m)	8.2ft (2.5m) x 3.3 ft (1.0m)
14	Portable 120	6.9ft (2.1m) x 2.3ft (0.7m)	7.2ft (2.2m) x 2.9 ft (0.9m)
15	Everyday Villa 37	10.6ft (3.2m) head diameter	13.8ft (4.2m) diameter
16	Everyday Villa 47	11.9ft (3.6m) head diameter	15.2ft (4.6m) diameter
17	Single Folding Frame	5ft (1.6m) x 7.5ft (2.3m)	7.9ft (2.4m) x 8.2ft (2.5m)
18	Everyday Retracting 5	30.7in (0.78m) x 6.3in (0.16m)	6.6ft (2m) min- 21ft (6.5) max





For further information, please contact:

Breeze Dryer

P.O. Box 1560

Buckingham, PA 18912-1560

Phone: 1-877-794-0379

Fax: 215-794-8050

Email: [info@breezedryer.com](mailto:info@breezedryer.com)

or Visit [www.breezedryer.com](http://www.breezedryer.com)

All details in this brochure are correct at time of printing. Hills reserves the right to alter product specifications at any time without notice.