



Hills Portable™

Indoor Outdoor Clothesline

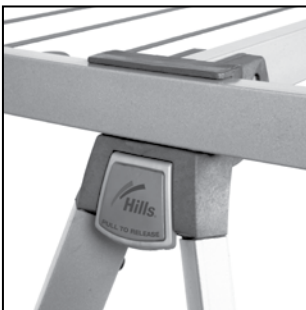
Owner's Manual



TO SUIT MODELS:

Portable™ 170

Portable™ 120



Congratulations

Congratulations on the purchase of your **Portable Clothesline**, which will bring you many years of trouble free and efficient drying, both indoors and outdoors.

It is important that you read this owner's manual thoroughly before assembly and use. In this way you will benefit from all of the design features and enjoy safe use of the product.

Thank you for choosing Hills.

Warning

- Do not allow children or pets to swing on the Portable Clothesline or items of laundry.
- Ensure when opening and closing your Portable Clothesline that your hands are positioned where they will provide support and will not be caught in moving parts.
- Do not use for any purpose other than to hang and dry washing.
- Do not use your Portable Clothesline if parts are worn or damaged.
- Patents and registered designs apply to this product.

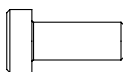
Carton Contents

Part name	Qty.
Spreader and hinge assembly	1
Arm assembly	2
Leg assembly - LH	2
Leg assembly - RH	2
Leg brace	2
Hanging bracket	1
Door adaptor	1
Line	2
Accessory pack	1
Smart pegs	10

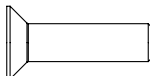
Accessory Pack Contents

Part name	Qty.
Cover cap	4
Cover cap tool	1
M6 x 12 low profile screw	4
M6 x 16 countersunk screw	8
M6 x 30 button head screw	4
Locking wedge with M6 locking nut	4
Wind tether	1
Door adaptor screw	1
Hex key-4mm	1

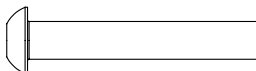
Fastener Descriptions



M6 x 12 low profile screw



M6 x 16 countersunk screw



M6 x 30
button head screw

The Hills Portable Clothesline is quick and easy to assemble. Just follow the steps below which are suitable for both the 170 (10 line) and 120 (8 line) models.

NOTE: all diagrams in this manual show the Portable Clothesline 120.

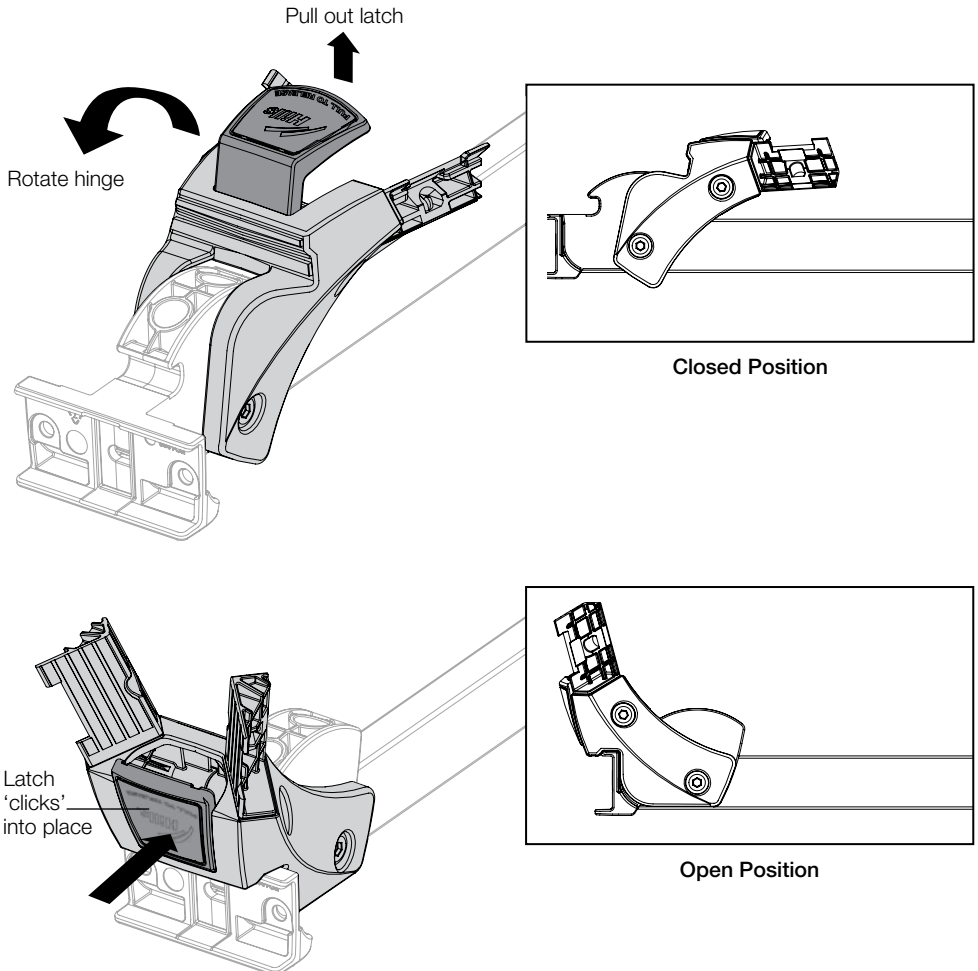
1. Rotate the Hinges into the open position.

A. Place the spreader and hinge assembly on a flat surface.

B. Pull the latch out.

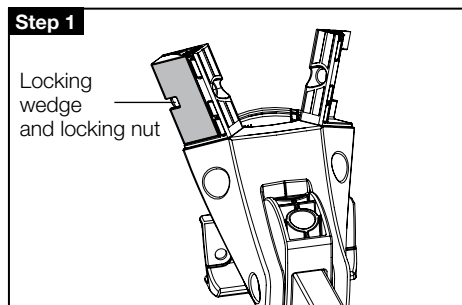
C. Whilst holding the latch out, rotate the hinge to the 'open' position until the latch 'clicks' into place.

D. Repeat at other end.

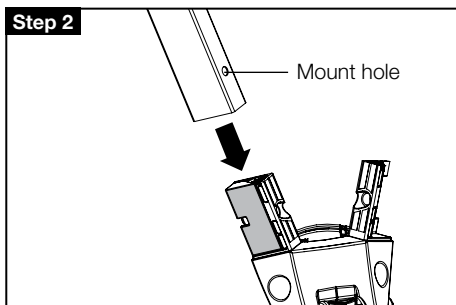


2. Attach the Legs to the Hinge Assemblies.

Fasten the legs as shown in Steps 1–4.

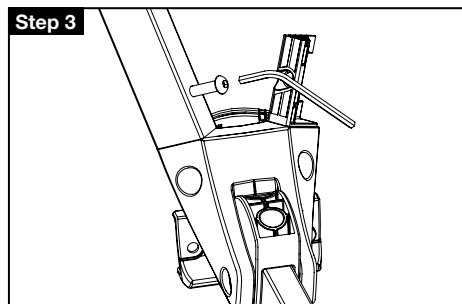


Locate the locking wedge (with M6 nut assembled) on to the moulded leg section of the hinge moulding.

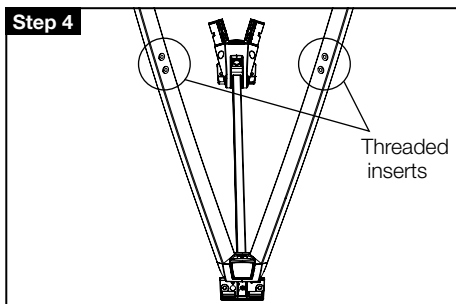


While holding the locking wedge in place, fit leg tube (ensuring mount hole is oriented as shown).

NOTE: Check leg orientation (as per diagram in Step 4) to ensure the threaded inserts for securing the leg brace are facing each other.



Insert and fasten securely the M6 x 30 button head screw using hex key–4mm.



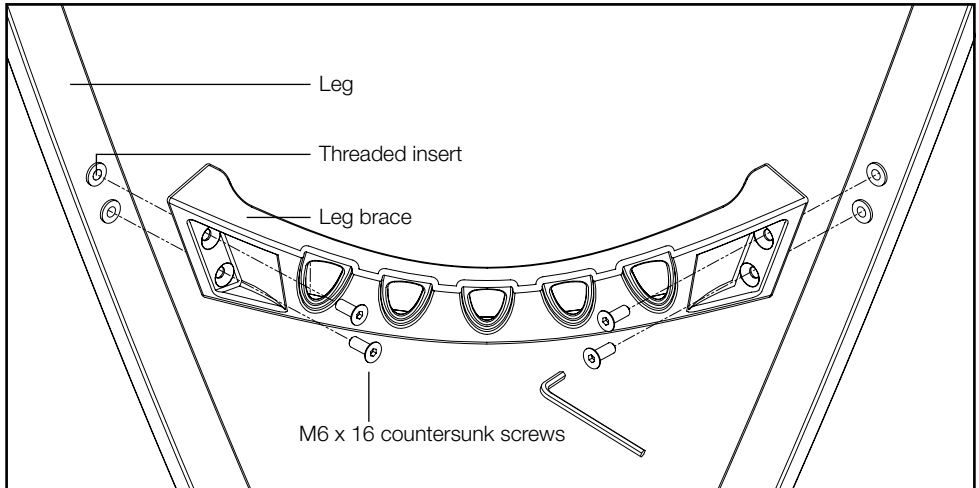
Repeat for all legs.

3. Attach the Brace to the Legs.

Using the eight (8) M6 x 16 countersunk screws, attach the leg brace to the four (4) threaded inserts in the legs using the hex key - 4mm.

Fasten securely.

Repeat at other end.



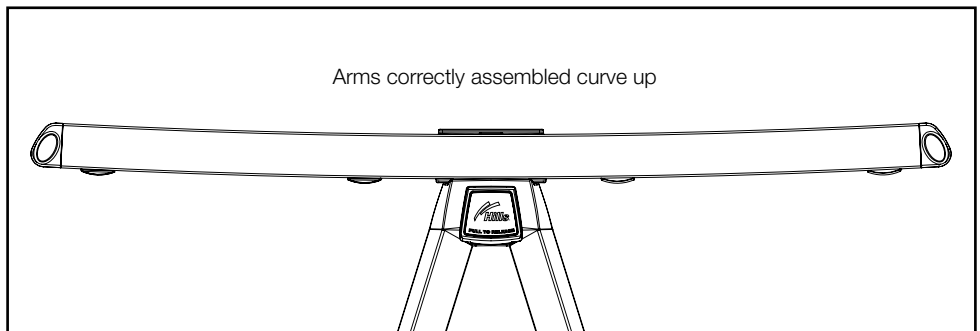
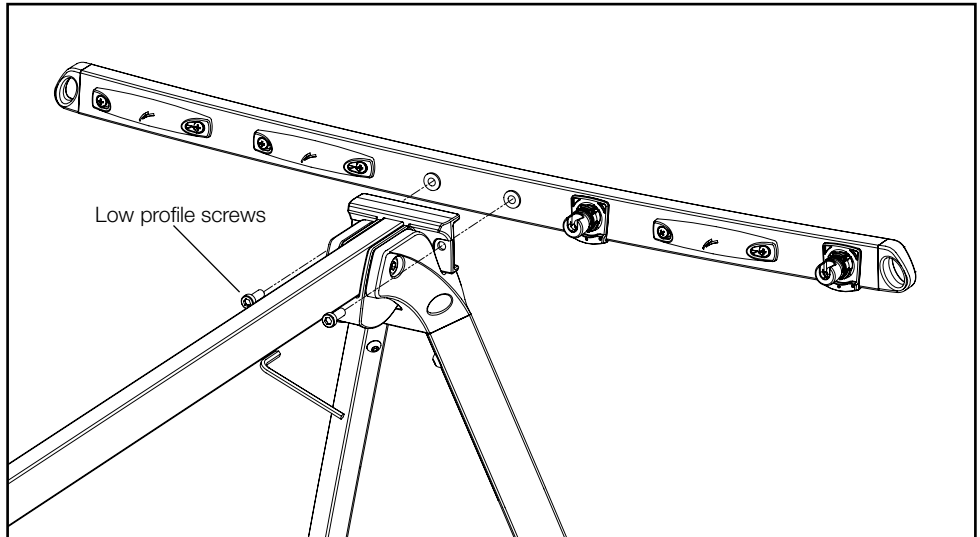
4. Turn the Portable Clothesline over and stand on the ground as shown.



5. Attach the arms.

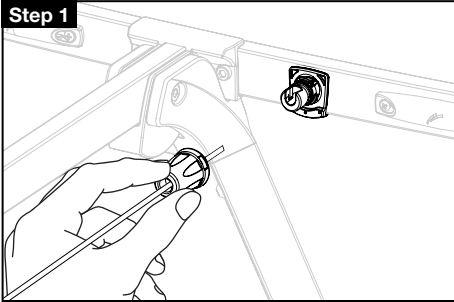
Locate the arms into the recess in each end of the hinge assemblies ensuring the screw holes and insert fasteners align. Insert the two (2) M6 x 12 low profile screws and fasten securely using the hex key – 4mm.

NOTE: Ensure the arms are assembled with the curve up (as shown).

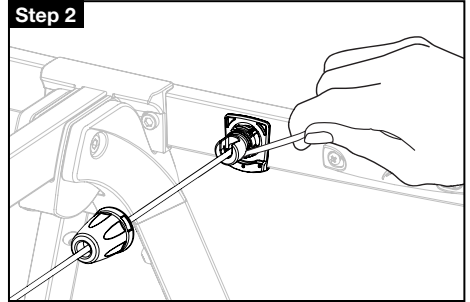


6. Attach the line.

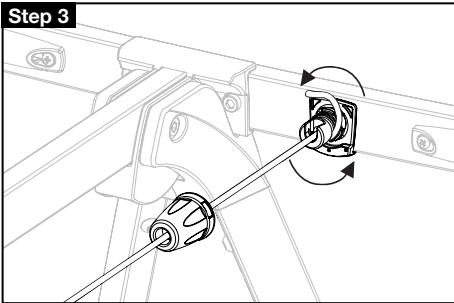
A. Fasten the line to the innermost line tensioner as shown in steps 1–4.



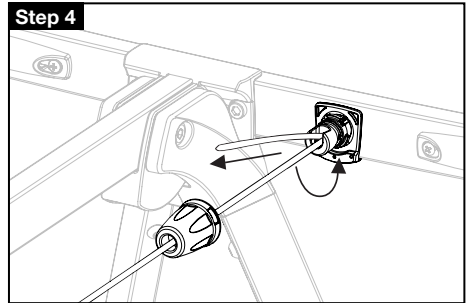
Fit the cover cap onto the end of the line, (ensure correct orientation).



Insert the line down through the front slot of the tensioner as shown, pull through 100mm (4") of line.

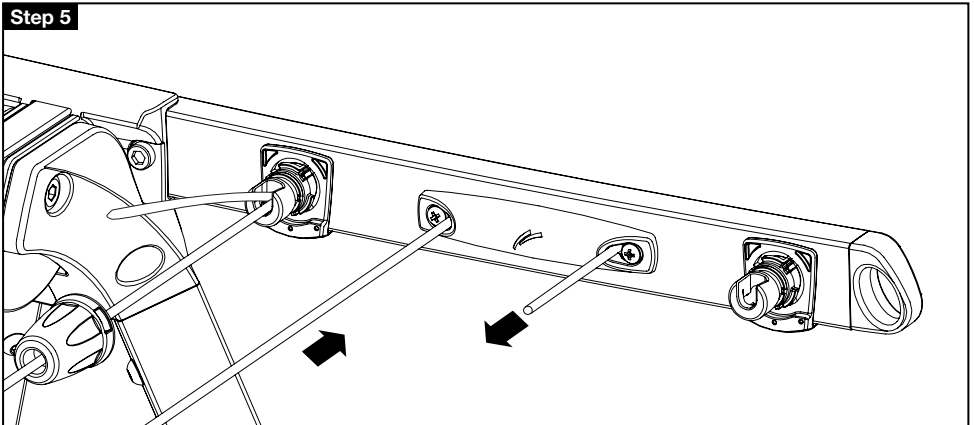


Loop the line around the rear groove of the tensioner and pull tight to prevent line slipping.

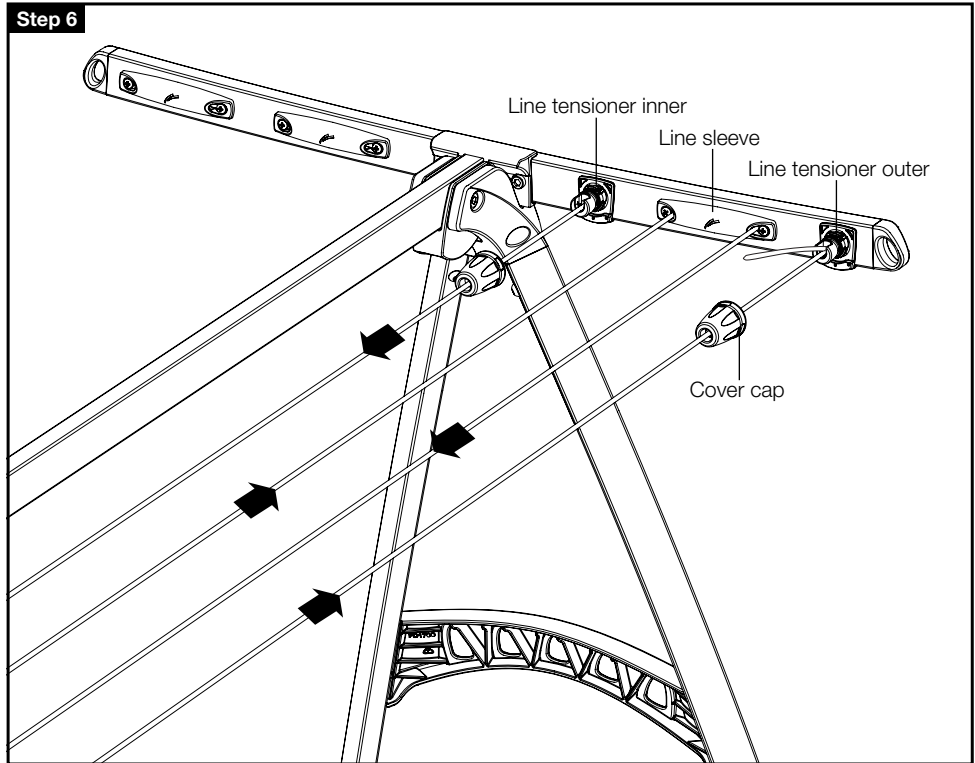


Feed the line up and back through the front slot of the tensioner and pull tight.

B. Feed the line through the line sleeves as shown in step 5.



C. Continue to thread the line through each of the line sleeves ensuring all lines are parallel, as shown in step 6.



D. Tie off line to the outer line tensioner as per steps 1–4 on page 7.

Do not tighten line yet.

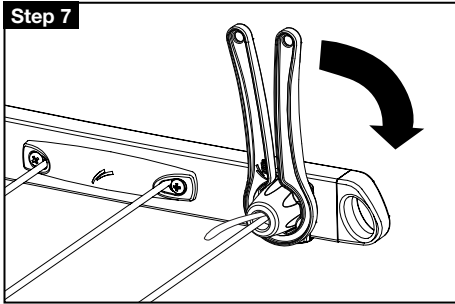
E. Repeat steps A–D for the other side.

F. Tighten line on each side by pulling it ‘through’ the line sleeves and repeating tie off procedure with the outer line tensioner.

NOTE: Do not over tighten the line as you can distort the frame.

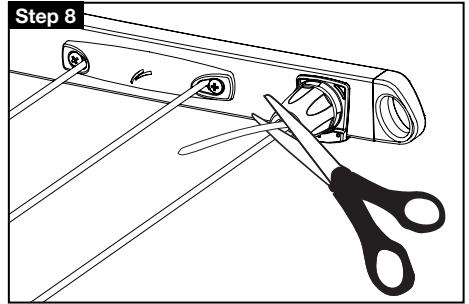
Apply approximately the same ‘tension’ to both sides to keep the frame ‘square’ and to avoid twisting.

G. Fit the cover caps and trim the line as shown in steps 7 and 8.



Feed end of the line through each cover cap and fit by rotating clockwise using the cover cap tool provided until a slight 'click' is felt.

NOTE: A short video showing the attachment of line segments is available for viewing on the Hills website: www.hills.com.au



Trim off any excess line flush with end of each cover cap as shown.

We recommend trimming excess line after a few loads of washing have been hung to allow 'pre-stretch' of line to occur.

Your Portable Clothesline is now ready to use.

Caution: Do not push or pull your Portable Clothesline across the floor as this could lead to breakage of the legs. To move the clothesline, lift completely from the floor.

Line Tensioning

To re-tension lines if required

- A.** Remove either cover cap on the arm, by rotating anti-clockwise.
- B.** Untie the existing line.
- C.** Repeat steps F and G as described on pages 8 and 9.

DO NOT OVER TENSION, as you can distort the frame.

Folding and Unfolding

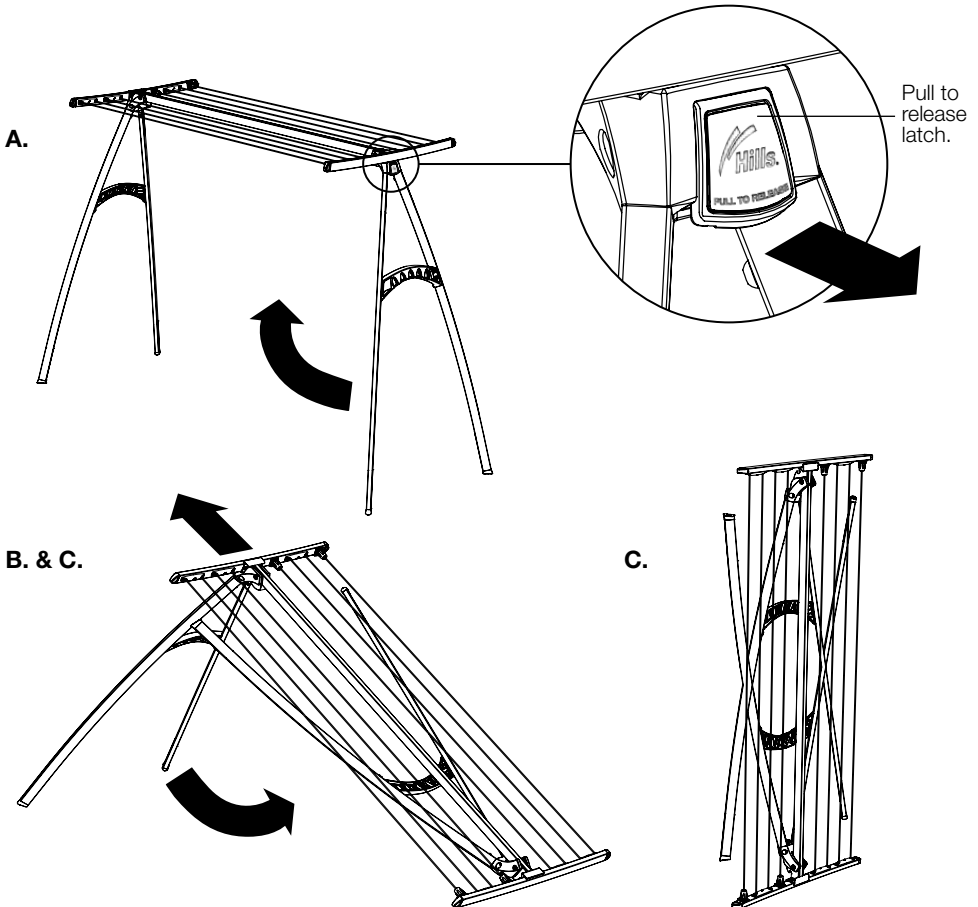
- A.** To fold away your Portable Clothesline, pull the latch out with one hand, while supporting and rotating the legs up and around with your other hand. Keep rotating until the latch 'clicks' back into place, locking the legs closed.
- B.** Place the folded end on the ground.
- C.** Release the latch at the other end, and fold the legs while bringing the product to a vertical position.

The folded product is now ready to be stored.

To unfold your Portable Clothesline, simply unlatch each leg and rotate around into the locked open position.

NOTE:

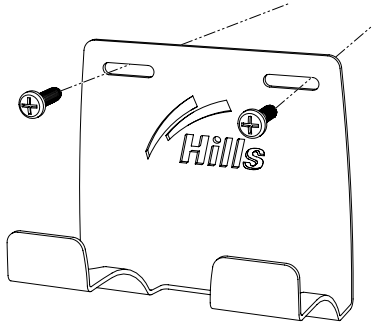
- 1. Check the legs are not caught in the lines before trying to unfold.**
- 2. Always ensure your hands are positioned where they will provide support and will not be caught in moving parts.**



Hanging bracket

To hang your Portable Clothesline for convenient storage a hanging bracket has been included.

1. The hanging bracket can be fastened to almost any wall or vertical surface using appropriate fasteners (not supplied).



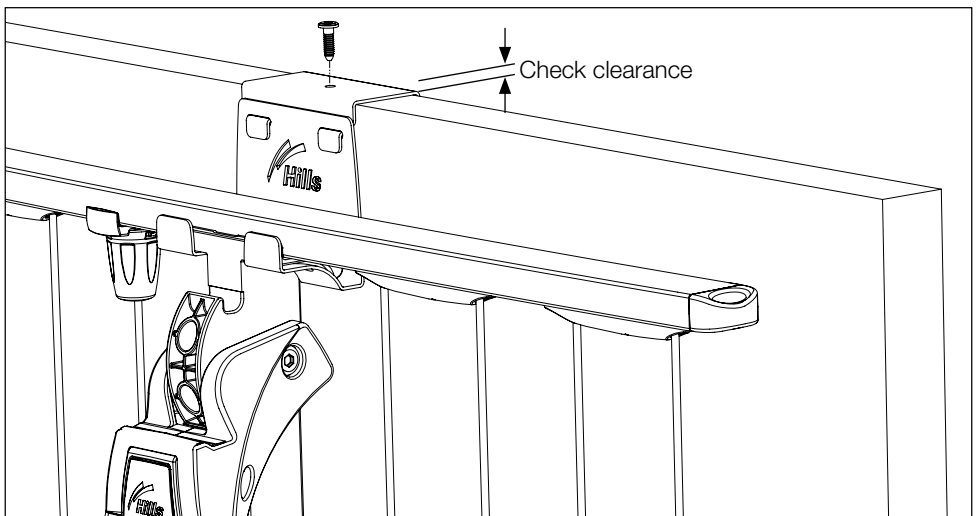
2. The hanging bracket and door adaptor can be used over most doors.

Simply place the hanging bracket and door adaptor over your door as shown.

Place the Portable Clothesline on the hanging bracket ensuring it is centered on the door and does not make contact with door handles, surrounding furniture and walls, when the door is opened and closed.

Secure the door adaptor to the top of the door with the small screw provided.

NOTE: Check there is clearance between the top edge of the door and door frame for the door adaptor and screw before fixing.

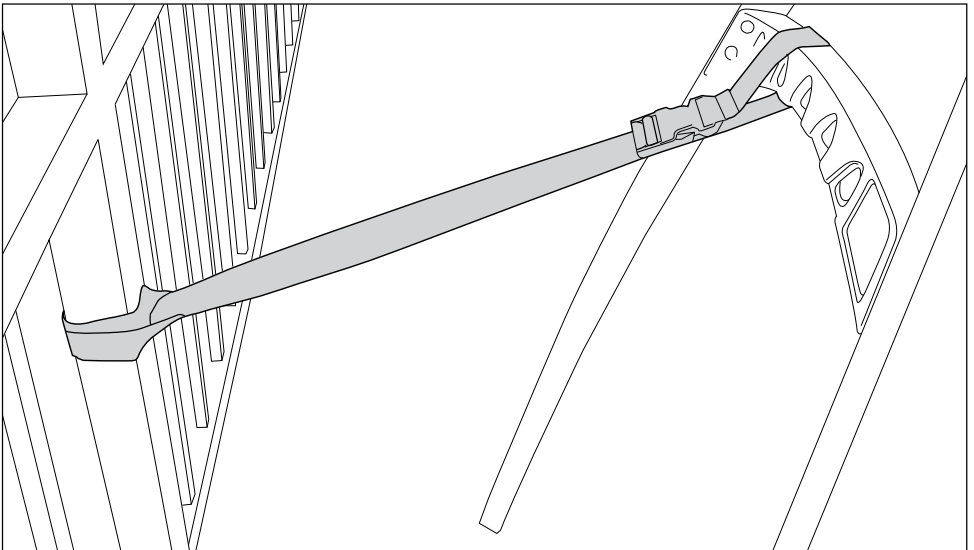
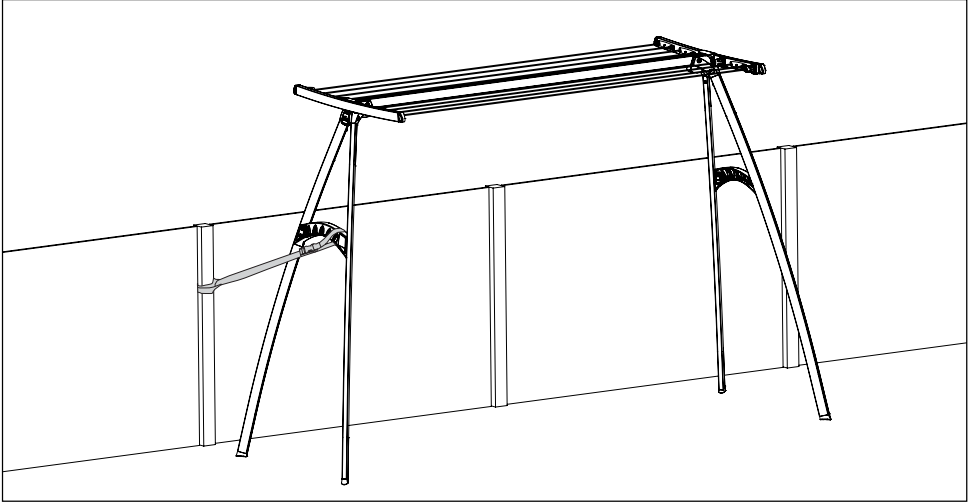


Wind tether

When you use your Portable Clothesline outdoors (particularly on balconies) we recommend using the wind tether. Secure the clothesline to a fixed object like the balcony, a post or a railing to ensure it does not blow away.

NOTE:

1. The Portable Clothesline should be folded and put away in very strong winds.
2. The wind tether is not for children, is not to be used as a toy and should be stored away safely when not in use.



We have included a ten pack of Hills Smart Pegs™ for use with your Portable Clothesline.

Hills Smart Pegs™ are UV resistant and can be left outside without severe deterioration occurring. They are dual moulded for superior comfort and grip.

Hills Smart Pegs™ can be purchased at most hardware and general merchant stores.



Warning: CHOKING HAZARD!
Small parts. Not for children under 3 years old. Not to be used as a toy.



Hints

- Heavy or large items like thick towels, sheets and quilts can be dried on the Portable Clotheslines. We recommend placing them over the inner lines leaving the outer lines for smaller objects. We also recommend spreading the load over two lines to allow more air circulation for faster drying. Sheets can be folded in half and dried over two lines.
- Quilts can be dried by laying them over the Portable Clothesline then pegging the ends/corners together to lift them off the floor.
- When placing washing on the Portable Clothesline ensure the weight is balanced and washing is placed evenly on both sides.
- The Hills Portable Clothesline can be used almost anywhere but should not be used in strong wind conditions unless it is placed in a protected area and secured using the wind tether provided.
- Hills Portable Clotheslines can be stored when not in use.
- The braces that supports the legs include holes that provide additional hanging space.

Care and Maintenance

It is a good idea to occasionally inspect all components and check for wear and tear or damage. If there is any damage, parts should be replaced with original Hills spares or the Clothesline repaired before using again.

The Clothesline should be periodically wiped clean with a damp cloth and mild detergent.

Hills Guarantee

Hills Industries Limited undertakes that if any part of its manufacture has failed to operate correctly due to faulty workmanship or defective material, it will repair or replace the part free of cost for a period of THREE (3) years from date of purchase of the article, given fair wear and tear. The PVC line and accessories including Smart Pegs™, hanging bracket and wind tether are all guaranteed for a period of ONE (1) year. Evidence of unfair usage or incorrect adjustment by the owner will void this promise.

Hills Industries Limited will not be responsible for any costs in connection with freight or postage, or for expenditure necessary to dismantle the article, replace the part in position and re assemble the article.

This guarantee is in addition to any legal rights or remedies conferred on the consumer.

Hills Industries Limited does not recommend the application of a 'canopy' on any of their outdoor dryer range.

Unless any addition or attachment to this product has Hills specific approval or is sold as a Hills product the warranty on this product is waived. The product is designed to perform a specific task under established test loads and unauthorised attachments may produce stresses for which the design is not appropriate.

Designs, specifications and colours are subject to change without notice.

Please retain this Owner's Manual. Record the following information from the carton for future reference.

Product Number:.....

Date of purchase:.....

Name and location of store:.....

.....

Hills Contacts

As a proudly Australian company we are committed to provide you with complete customer satisfaction. If you have questions about this product or find there are missing or damaged parts please contact your nearest Consumer Advice Centre during their local business hours.

Australia

1300 300 564
info@hills.com.au

New Zealand

09 262 3052
sales@hills.co.nz

United States of America

877 534 1371 (Eastern)
gsutterlin@verizon.net

Canada

905 228 3725 (Eastern)
hillscanada@hills.com.au

South Africa

0800 600 432
info@hillssolar.co.za

or visit www.hills.com.au



This product is designed and tested under a Quality System which complies with ISO 9001.

Made in China



Hills Industries Limited
A.B.N. 35 007 573 417

Issue February 2009
PD1711d