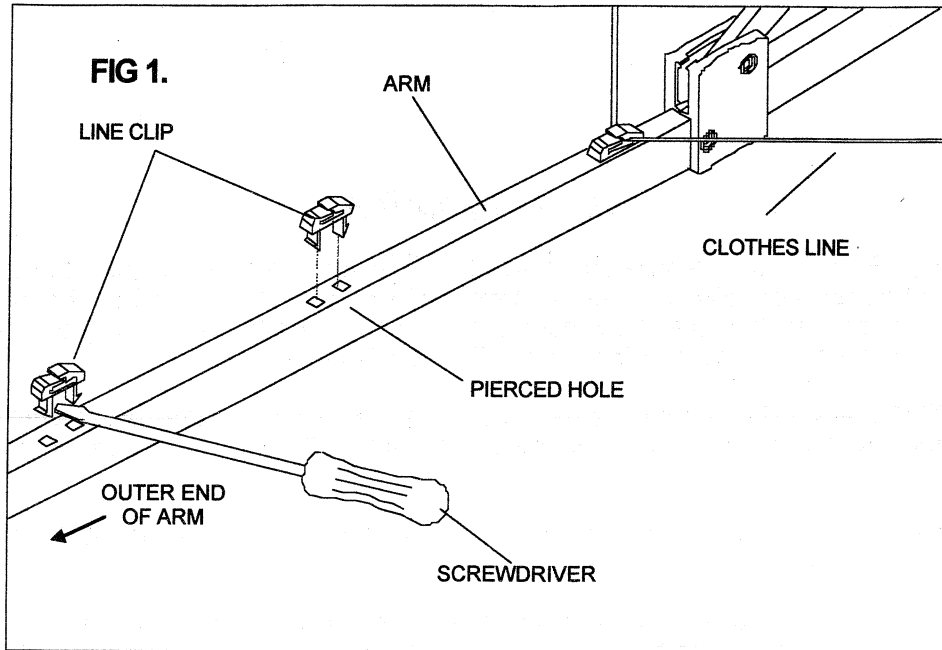




LINE CLIP REPLACEMENT - INSTRUCTION SHEET.

IMPORTANT: READ THESE INSTRUCTIONS BEFORE ASSEMBLY AND USE.



LINE CLIP REPLACEMENT INSTRUCTIONS.

IMPORTANT: *Protect your eyes* when removing and replacing plastic components.

TO REMOVE:

- **Slacken the line a little by releasing the locking latch.**
- Remove the Clothes Line from the old Clip.
- Lever out the old Line Clip from the arm with a screwdriver. See FIG 1. Take care to protect the paint work on the arm.

CAUTION: *Protect your eyes and hands from flying plastic.*

TO REPLACE:

- Place the new Line Clip into the pierced hole in the Arm and snap into position with thumb pressure. Ensure that the clips are facing in the correct way. See FIG 1.
- Replace the Clothes Line.

FOLDALINE LINE CLIP REPLACEMENT PACK CONTAINS:

DESCRIPTION	QTY.
Line Clip	6