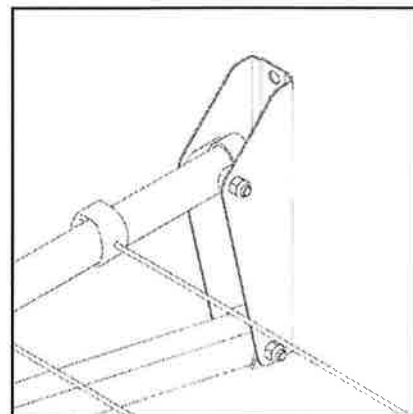
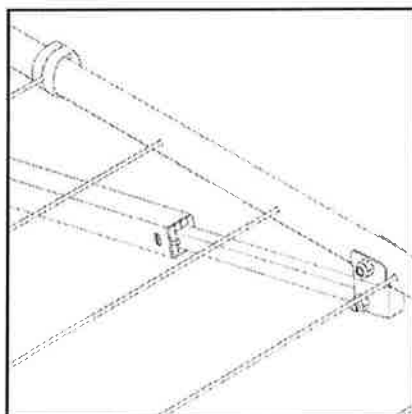
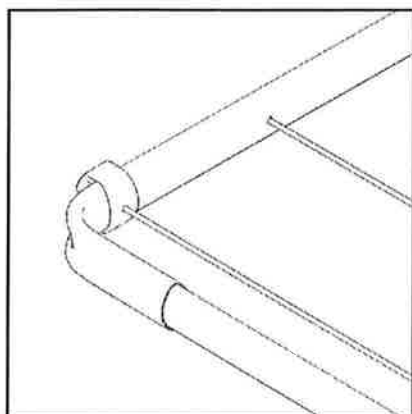
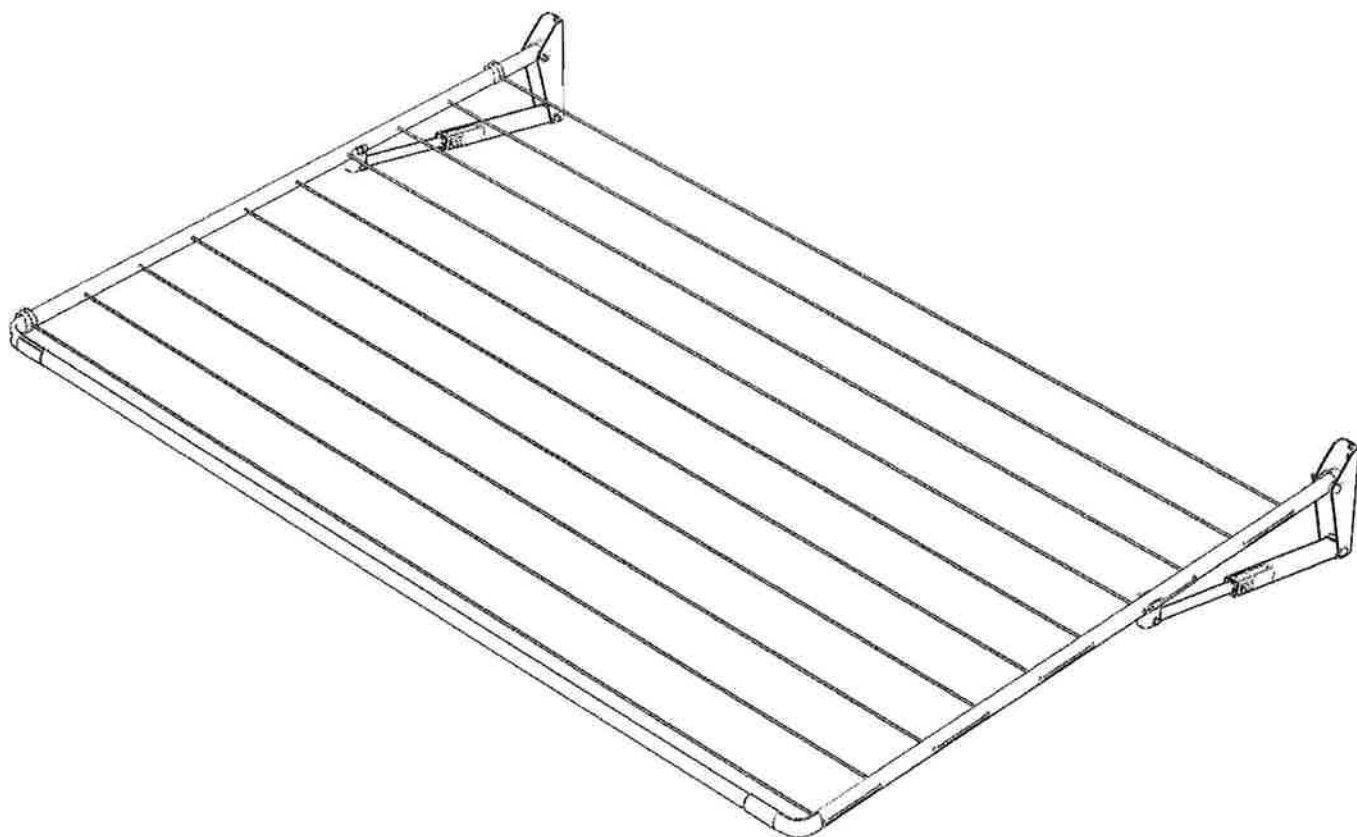


Hills® *Traditional Single
Folding Clothesline*
Owner's Manual



Congratulations

Congratulations on the purchase of your new **Hills Traditional Single Folding Clothesline**, which will bring you many years of trouble free and efficient outdoor drying.

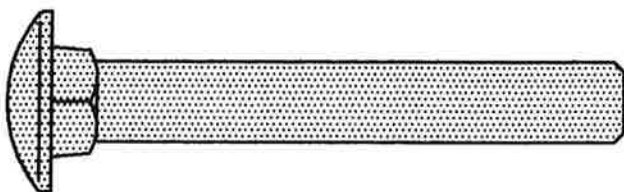
It is important that you read this owner's manual thoroughly before installation and use. In this way you will benefit from all of the design features and enjoy safe use of the product.

Thank you for choosing Hills.

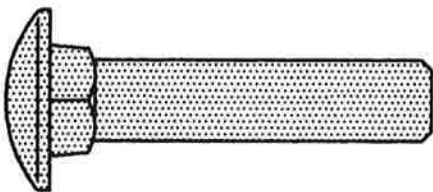
Warning

- Do not allow children or pets to swing on the Folding Clothesline or items of laundry.
- Do not use for any purpose other than to hang and dry washing.
- Do not use your Folding Clothesline if parts are worn or damaged.
- Do not unlock and allow the frame to drop down in an uncontrolled manner.
- Patents and registered designs apply to this product.

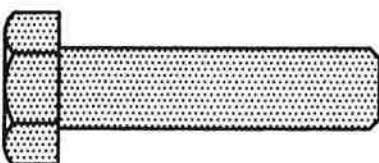
Fastener Description



Bolt - A



Bolt - B



Bolt - C



Nut - A

Carton Contents

Part name	Qty.
End frame	2
Spacer tube	1
Pivot brackets	2
Wall bracket	2
Telescopic struts	2
Line	25m
Accessory pack	1

Accessory Pack Contents

Part name	Qty.
Bolt A – 5/16 BSW x 2-1/4" CH SN	4
Bolt B – 5/16 BSW x 1-1/2" CH SN	2
Bolt C – 5/16 BSW x 1-1/4" HEX	2
Nut A – 5/16 UNC Nyloc	8
End cap – square	2
End cap – oval	2
Line tensioner	2

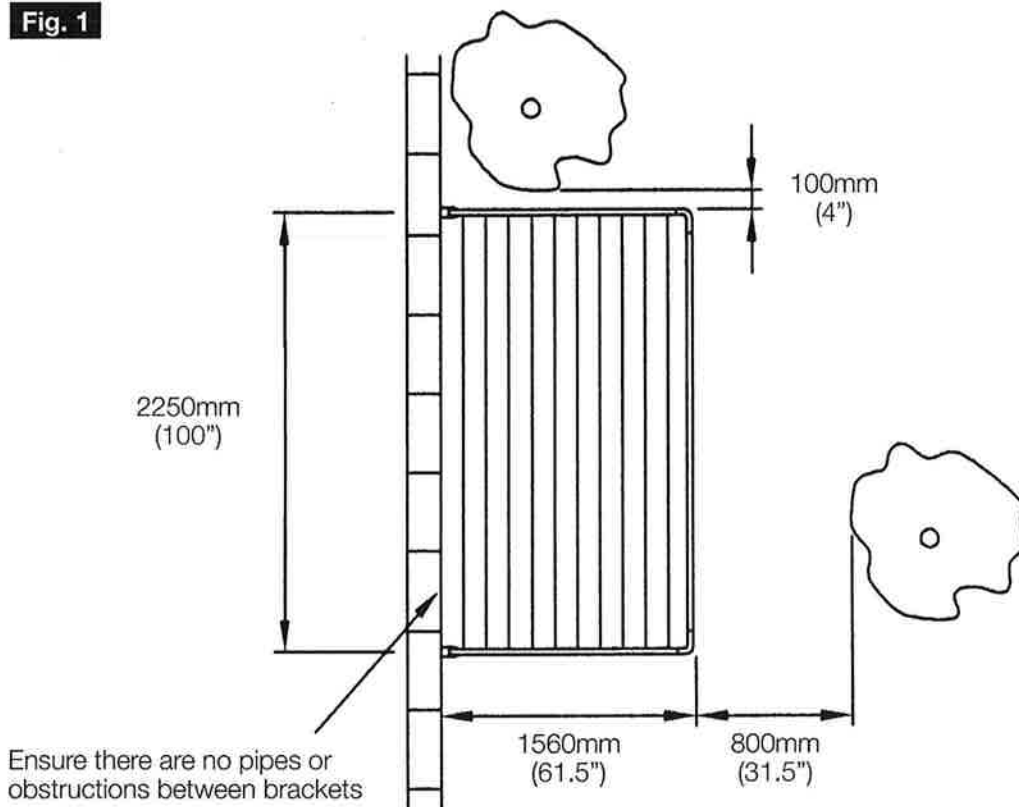
Installation

Your Hills Traditional Folding Frame can be fitted to either an existing wall or a Hills Traditional Post Kit (sold separately).

Site Selection

Select a suitable area for installation and ensure you have sufficient space surrounding the Clothesline (**Fig. 1**). We recommend 100mm (4") each side and 800mm (31.5") in front, as well as sufficient space to clear the eaves of the house (**refer to page 4**).

Fig. 1

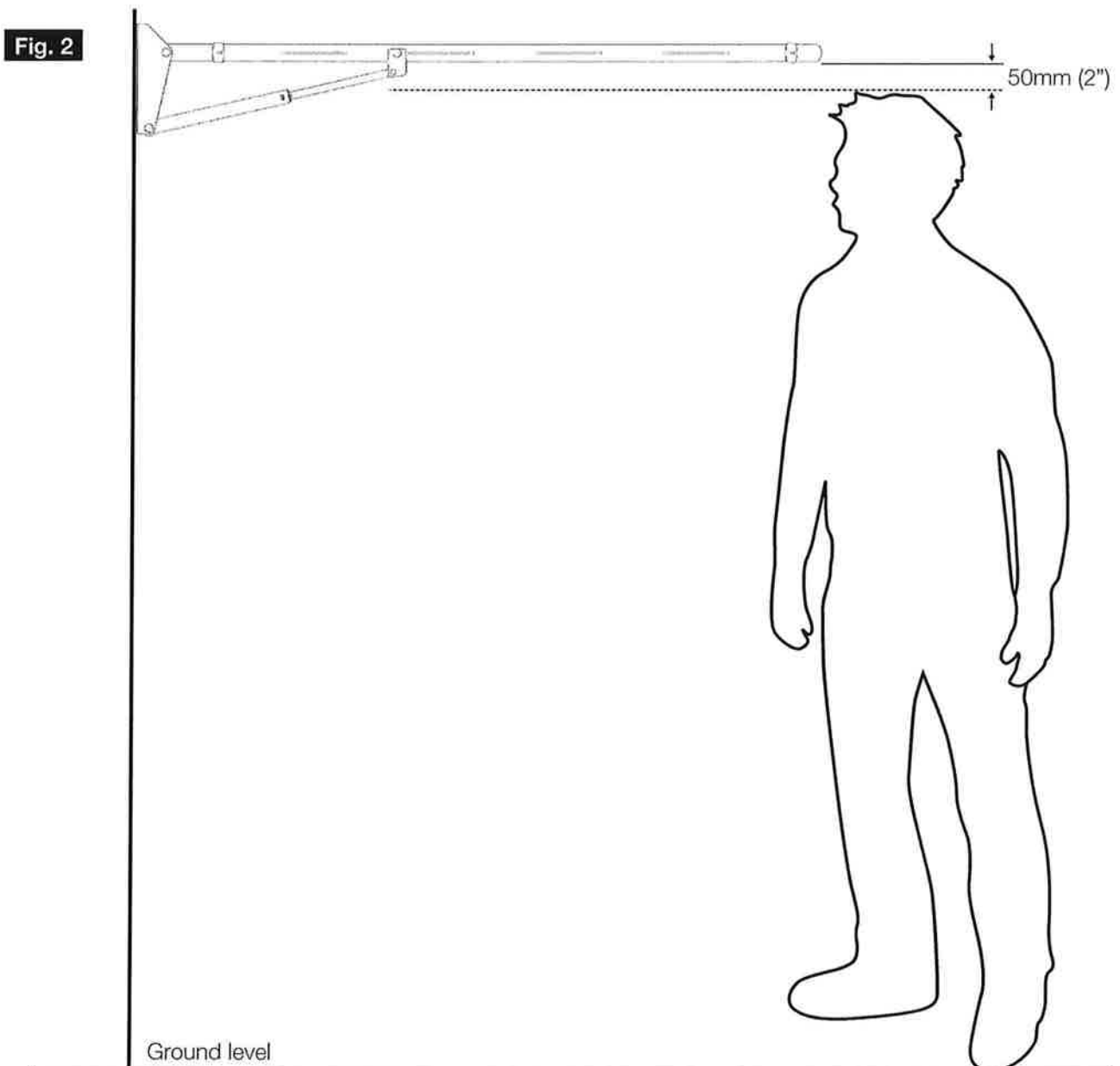


Mounting Height

We recommend your Folding Frame is mounted approximately 50mm (2") above the intended user's head height (**Fig. 2**).

NOTE:

1. Do not mount at a height less than 1560mm (61.5").
2. A minimum distance of 500mm (20") above the frame is required for clearance from any ceiling or overhanging eaves.



Fixing to a Brick or Masonry Wall

1. Fasteners are not included.

For sound brick / masonry walls we recommend using appropriate 10mm (M8) fasteners.

Due to the range of wall construction materials available, or if you have any doubt, consult your local hardware store.

2. To mount your Hills Traditional Folding Frame, the wall bracket centres must be 2200mm (86.5").

If you cannot achieve 2200mm (86.5") you will need to adjust the width of your Folding Frame (**refer to page 8**).

3. Mark the position of the wall bracket hole centres on the wall.

When wall mounting, use the 2 slotted holes (**Fig. 3**). The round holes are for post mounting.

Ensure the selected area is free from pipes and other obstructions.

Mount one wall bracket first and use this to align the other bracket.

Use a spirit level and straight edge to ensure the brackets are horizontal and vertical (**Fig. 4**).

Re-check to ensure there is sufficient clearance above the wall brackets.

Fig. 3

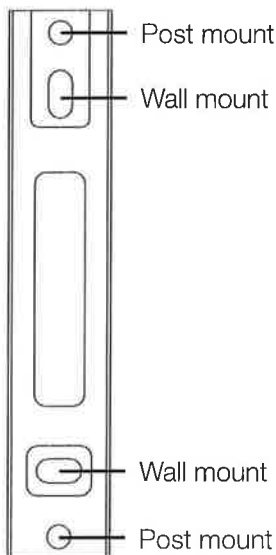
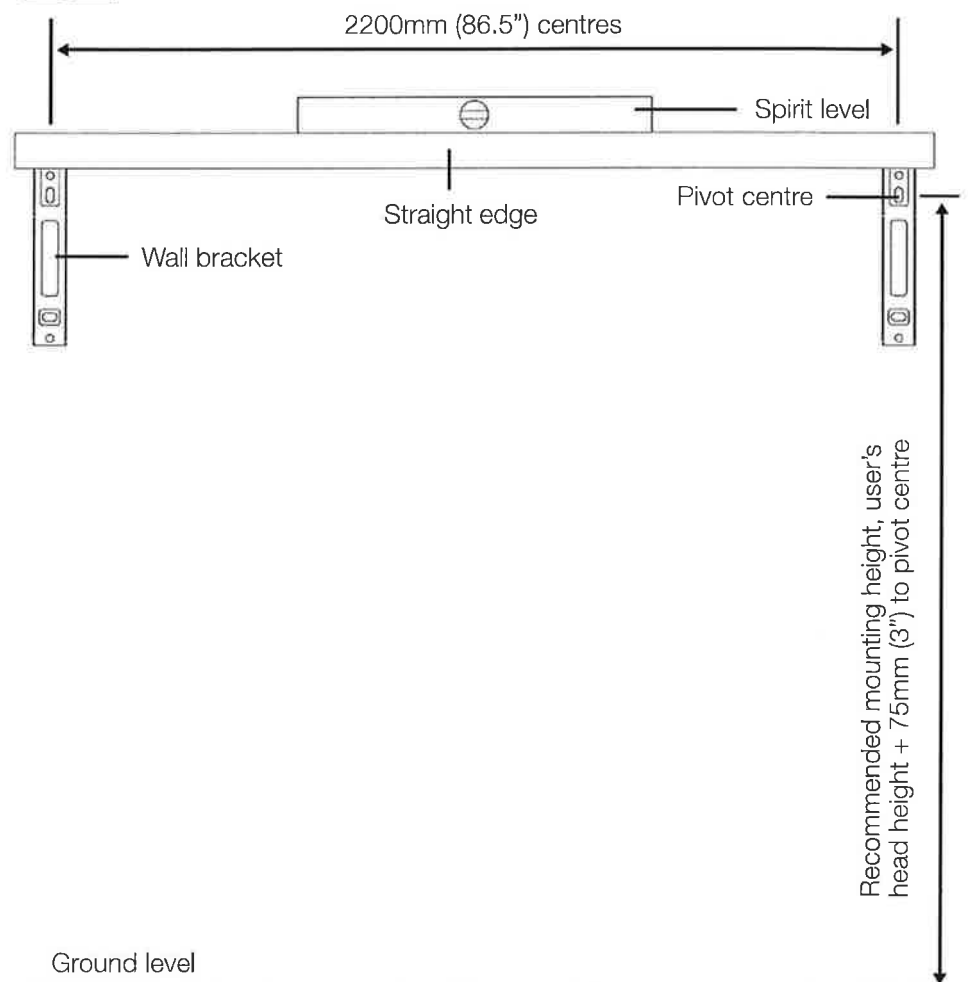


Fig. 4



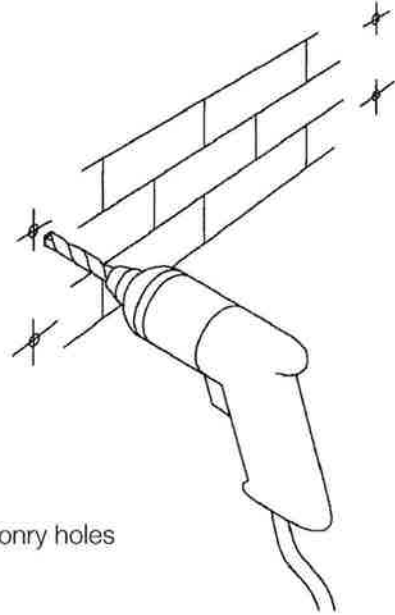
4. Drill the appropriate size holes in the wall, using a masonry drill (Fig. 5).
Clear holes of dust and debris.

5. Fasten wall brackets

Insert masonry anchors in to slotted holes and fit onto the wall.

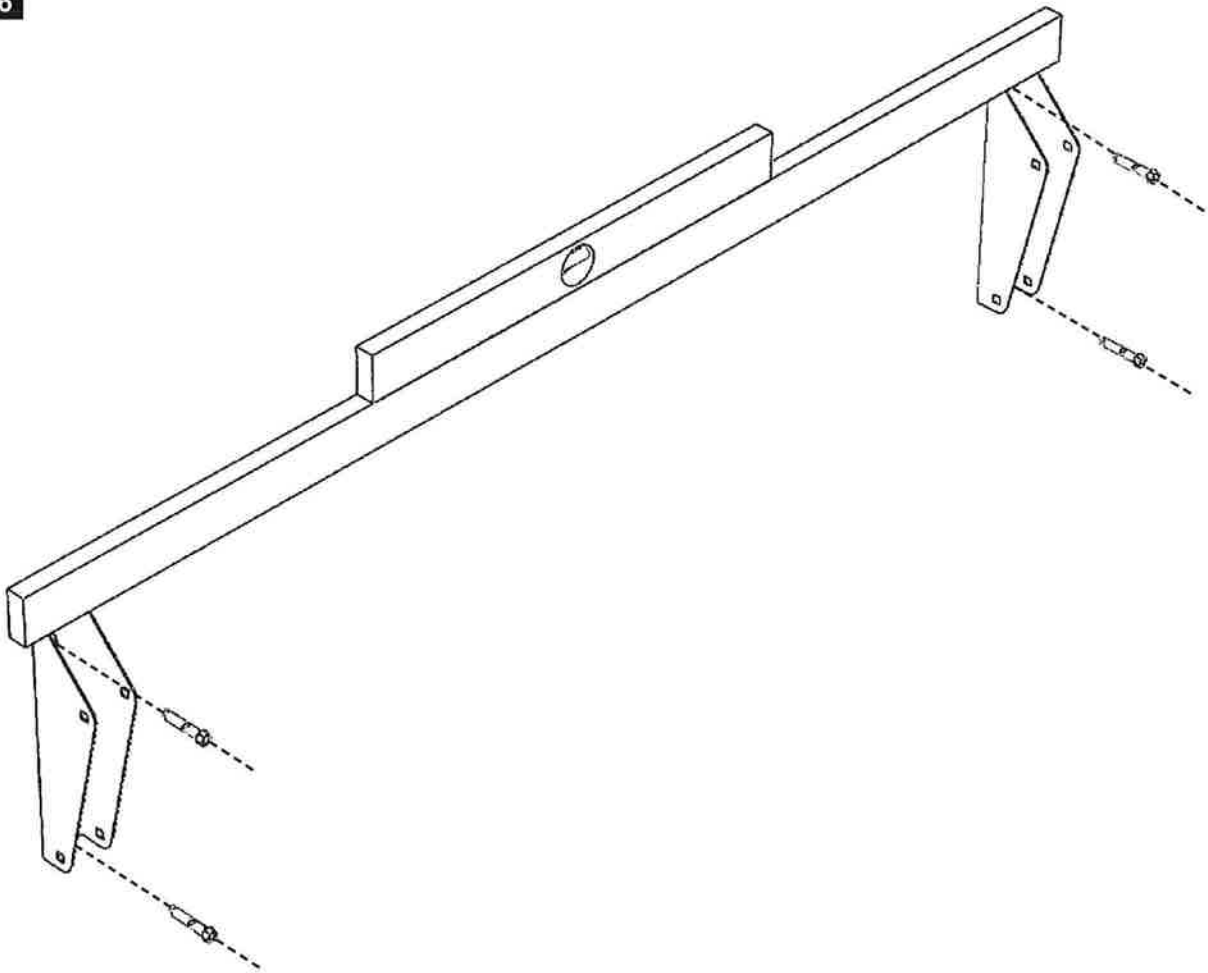
Re-check brackets are vertical and level and fasten securely (Fig. 6).

Fig. 5



Drill 4 masonry holes

Fig. 6



Fixing to a Stud Wall

1. Your Folding Frame wall brackets must be securely fastened to the vertical studs in your wall using appropriate fasteners that will support full loads of wet washing.

2. Fasteners are not included.

For timber (wood) stud walls we recommend using four 8mm (5/16") x 75mm (3") long coach (lag) screws.

Drill an appropriate size hole for each screw. This will reduce the chance of the studs splitting when the screws are installed.

For other stud and wall construction materials we recommend you consult with your local hardware store for the appropriate fastener.

3. You must locate and fasten to the vertical studs in your wall.

To mount the Hills Traditional Folding Clothesline the stud centres will need to be 2200mm (86.5").

If your vertical studs are closer than 2200mm (86.5") you will need to adjust the product to suit (**refer to page 8**).

4. Having located the vertical studs, mark the position of the wall bracket hole centres on the wall.

When wall mounting, use the 2 slotted holes (**Fig. 3**). The round holes are for post mounting.

Ensure the selected area is free from pipes and other obstructions.

Mount one wall bracket first and use this to align the other bracket.

Use a spirit level and straight edge to ensure the brackets are horizontal and vertical (**Fig. 4**),

Re-check to ensure there is sufficient clearance above the wall brackets.

Adjusting the Width of Your Folding Clothesline

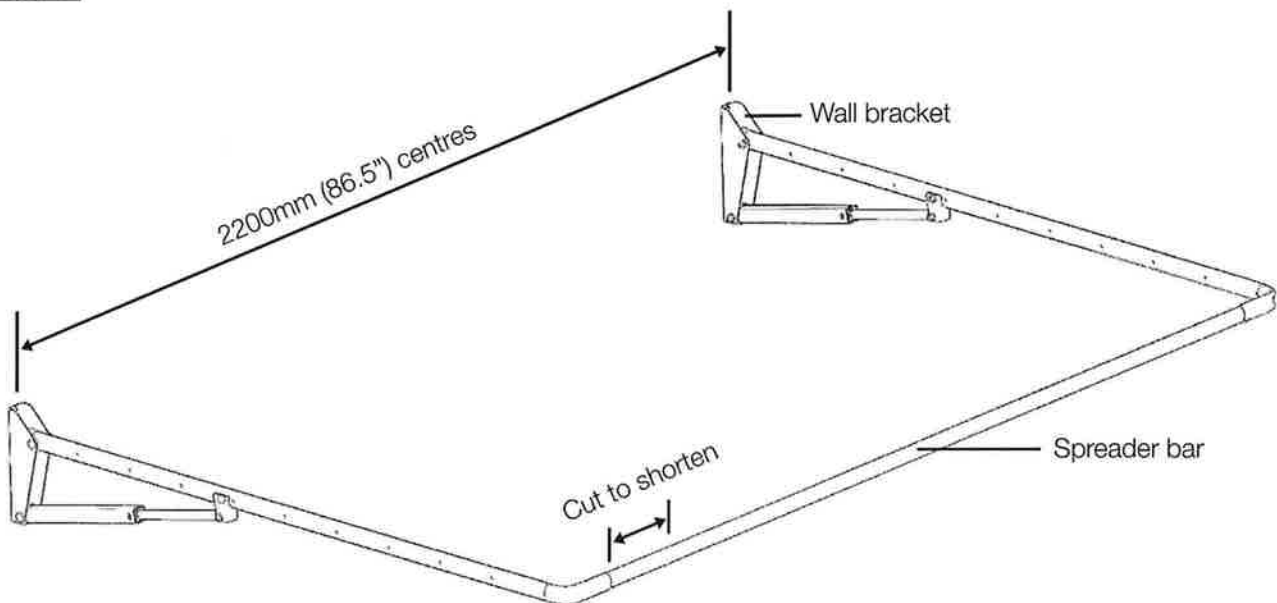
The standard width of your Hills Traditional Folding Clothesline requires the wall brackets to be installed on 2200mm (86.5") centres.

Your Folding Clothesline width can be reduced to suit your specific installation needs or to align with existing stud centres.

Having determined the new width / centres, calculate the amount to be reduced.

Mount the wall brackets on the 'new' centres and using a hacksaw, simply shorten the spreader bar by the required amount (**Fig. 7**).

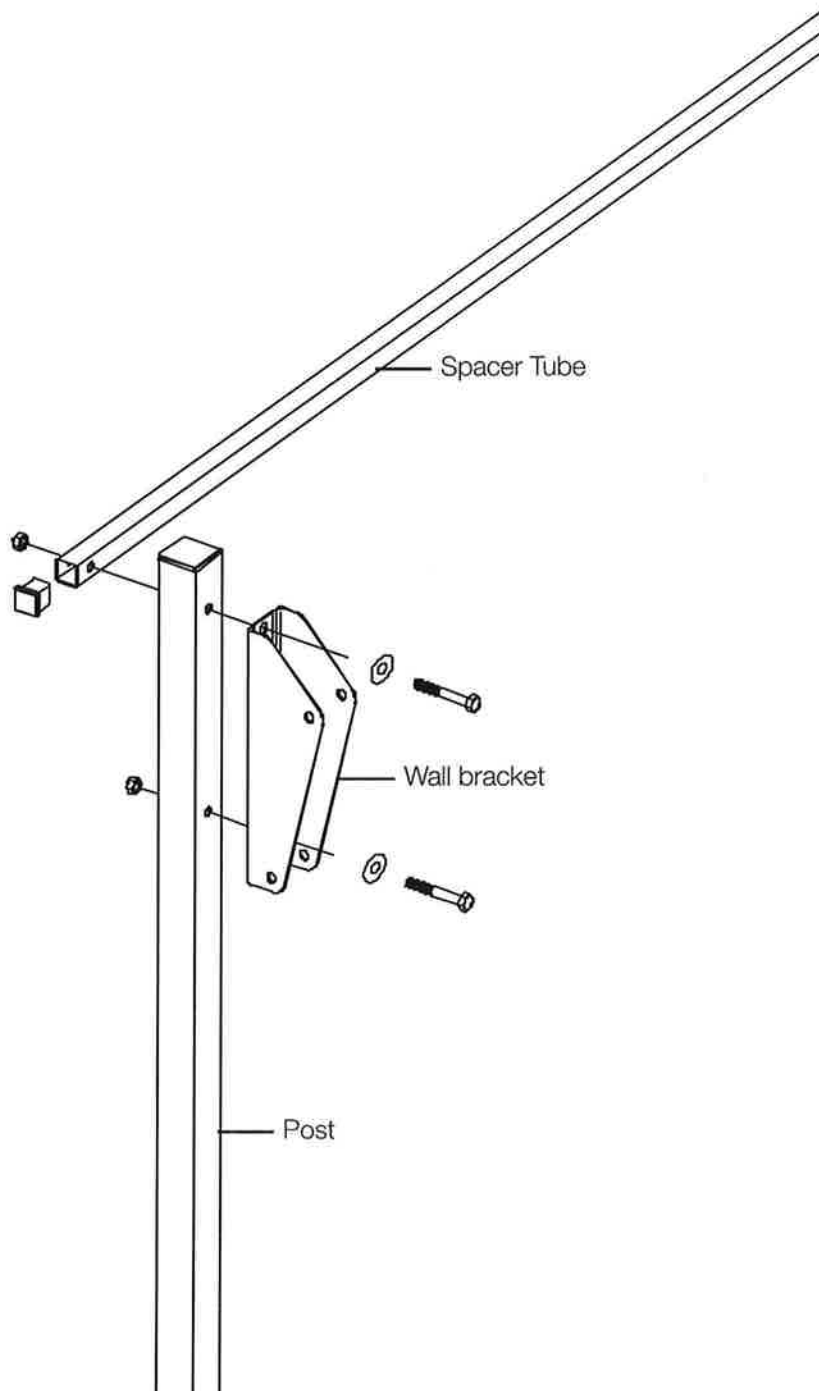
Fig. 7



Fixing to a Post Kit

Post Kits for Hills Traditional Folding Clotheslines are available as optional accessories. Install and assemble as per the separate instructions provided with the Post Kit (**Fig. 8**).

Fig. 8



1. Assemble Struts

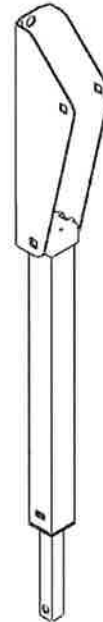
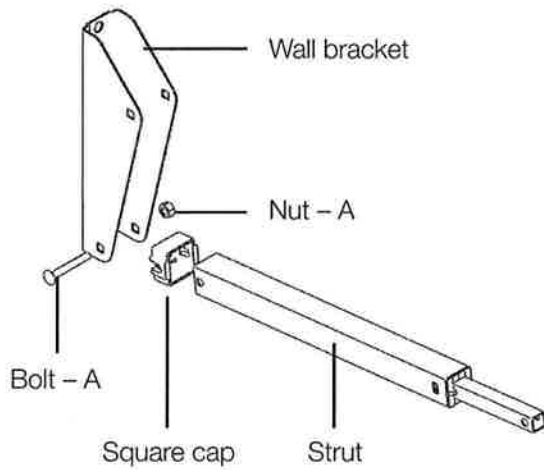
Fit the square caps to the end of the struts.

Fasten struts to the wall brackets as shown (**Fig. 9**).

Once fitted, lay struts down against the wall.

Important: do not overtighten the bolt and nut as the struts must be free to pivot.

Fig. 9



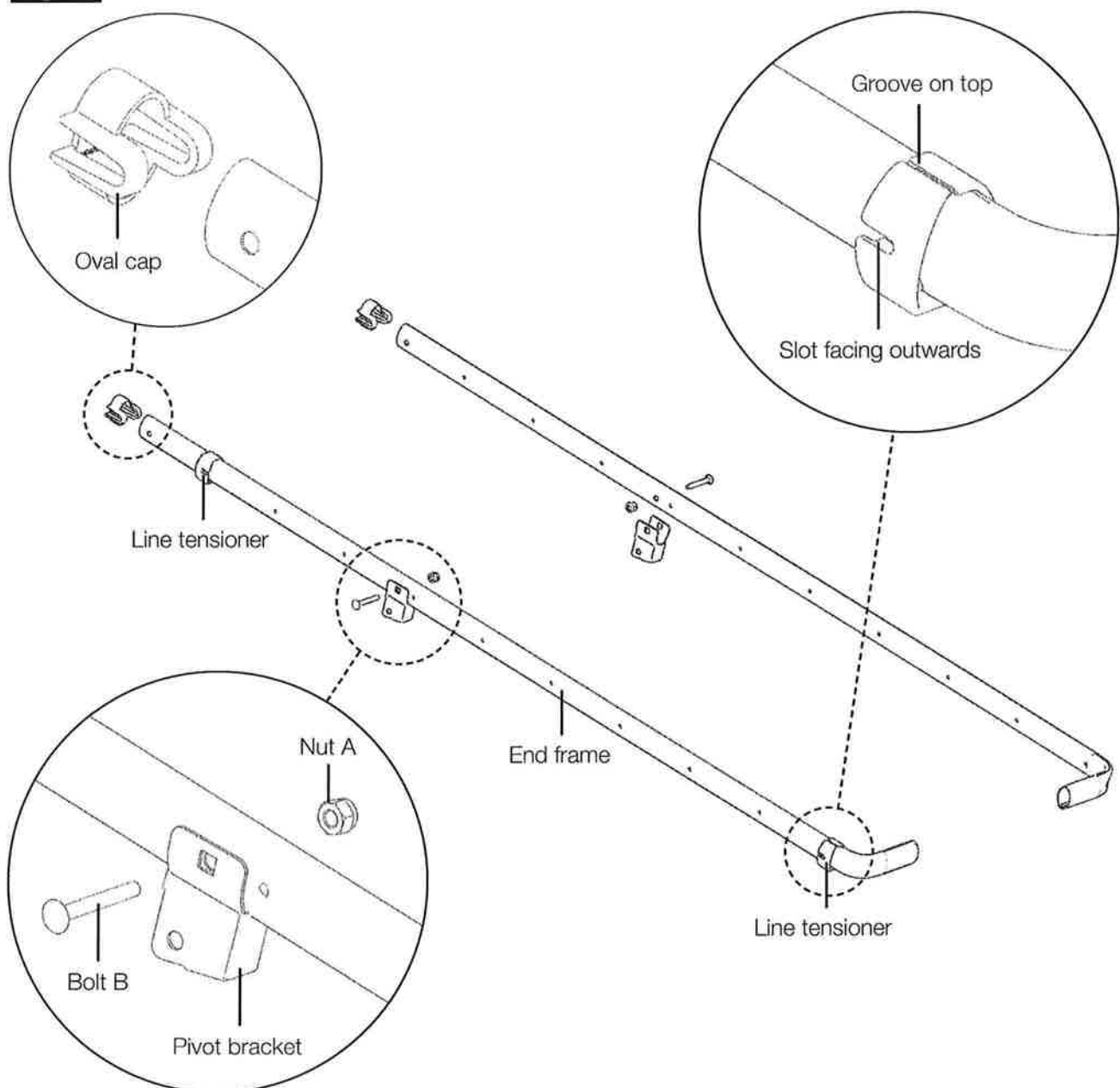
2. Prepare End Frames

Fit the line tensioners, oval caps and pivot brackets to the end frames as shown (**Fig. 10**).

NOTE: correct orientation of bolts and nuts is important for successful operation. Both line tensioners can be fitted to either end frame and need to be positioned correctly over the first and last line clearance holes.

Fasten bolts and nuts securely.

Fig. 10



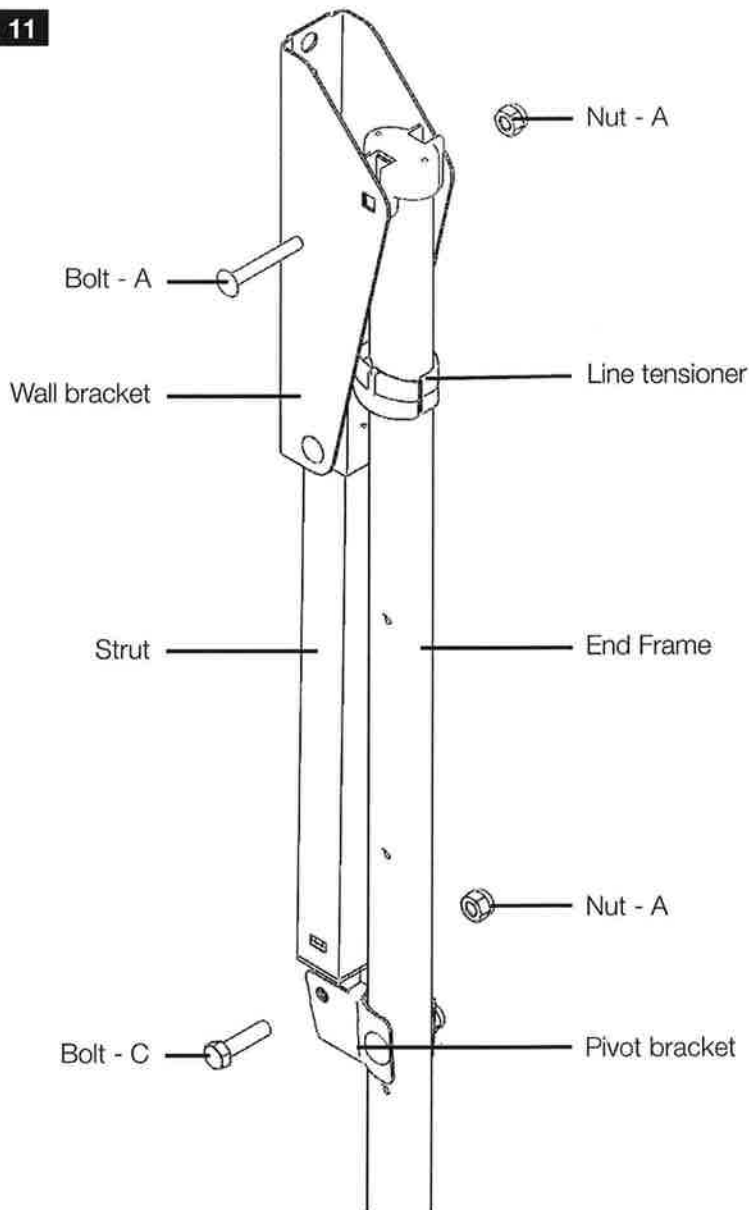
3. Assemble the End Frames

Fasten the end frames to wall brackets as shown (**Fig. 11**).

Fasten the struts to pivot brackets as shown.

Important: do not overtighten the bolts and nuts as the end frames and struts must be free to pivot.

Fig. 11



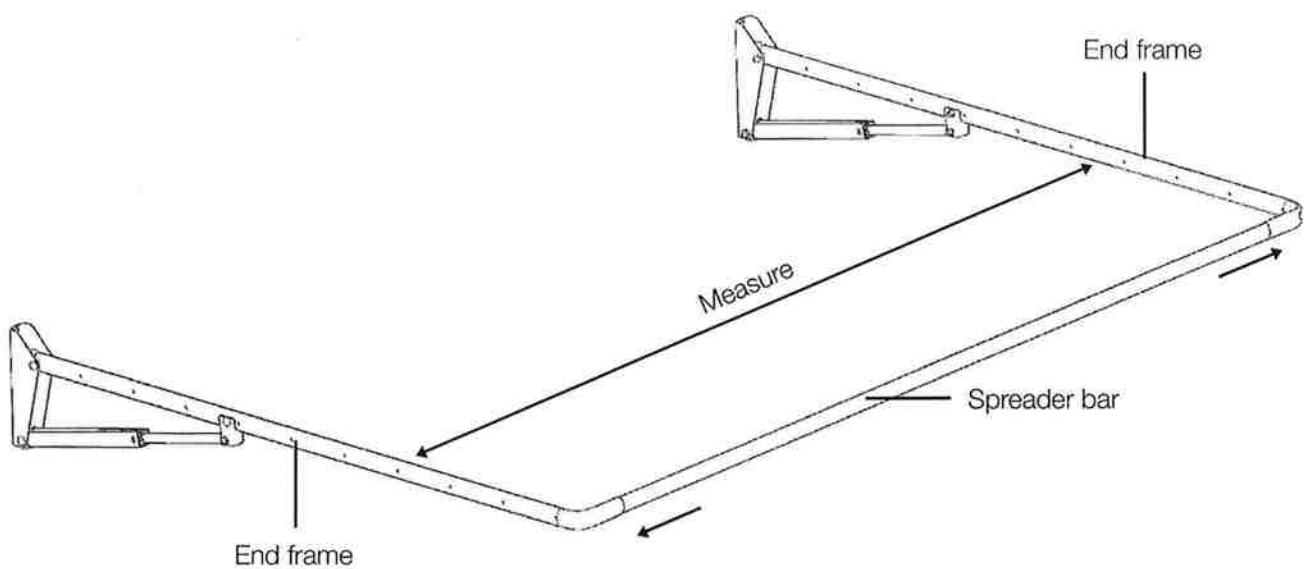
Left end frame shown

4. Assemble the Spreader Bar

Spread the end frames apart slightly and push the spreader bar into each end as shown (**Fig. 12**).

Measure to check the end frames are parallel and check the spreader bar is fully inserted.

Fig. 12



5. Assemble the Line

Insert the line through the hole in the end frame and line tensioner and feed the line up through the groove in the top (Fig. 13).

Thread the line back through the two holes and pull tight.

Thread all the line through both end frames as shown in (Fig. 14).

Pull the lines tight and tie-off the line in the second line tensioner (Fig. 13).

Do not over tension the line as you may distort the frame.

Trim off any excess line.

Groove

Line tensioner

Line

Fig. 13

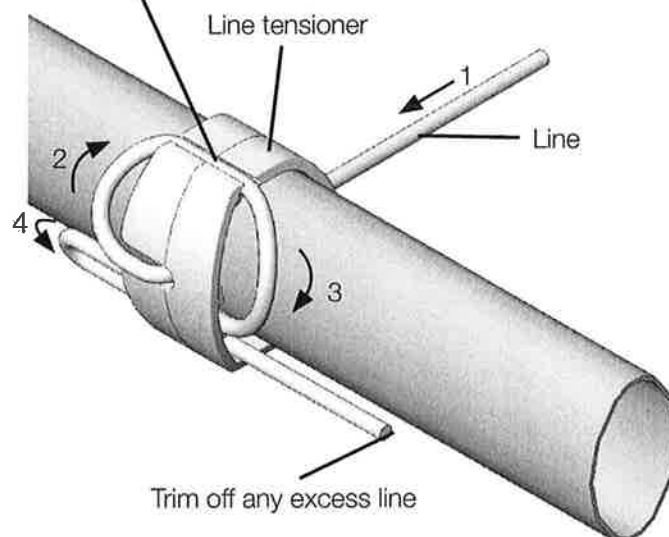
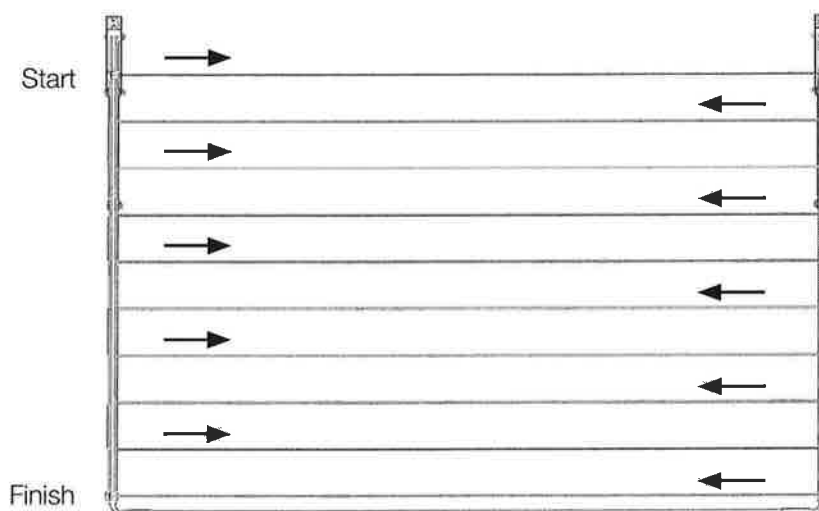


Fig. 14



To Raise the Clothesline (Fig.15)

- A.** Loosely grip the spreader bar in the middle.
- B.** Pull the frame away from the wall slowly and raise above your head until you hear **both struts** 'click' once to indicate they have engaged.
- C.** Now lower the frame slightly.

Note: If both struts have fully engaged, the frame will be supported squarely.

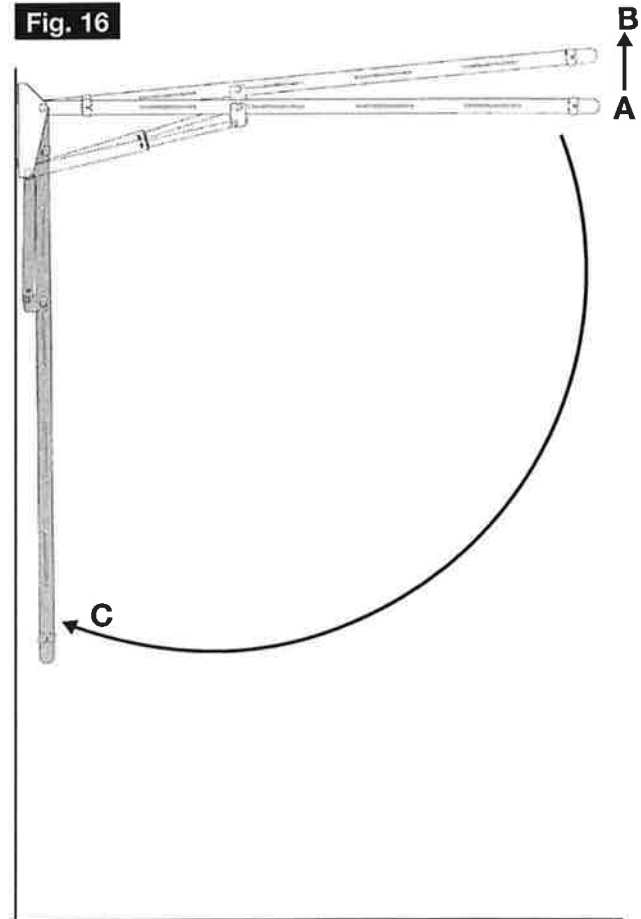
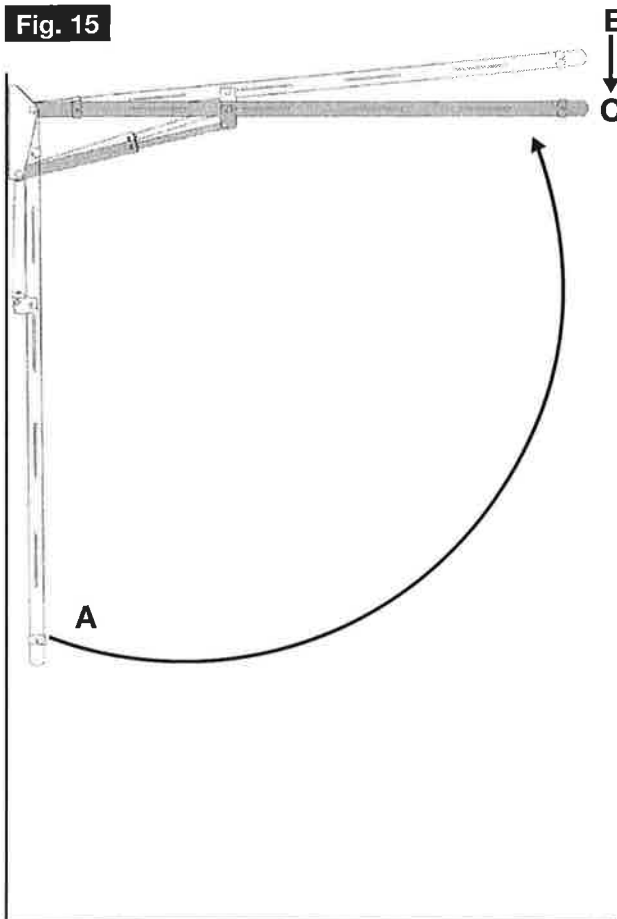
- D.** If the struts did not engage on both sides repeat steps B. and C.

To Lower the Clothesline (Fig.16)

- A.** Loosely grip the Spreader Bar in the middle.
- B.** Raise the frame until you hear **both struts** 'click' once to indicate they have disengaged.
- C.** Now lower the frame gently to its folded down position.

NOTE: Raising the frame other than from the middle of the spreader bar may result in only one strut locking/unlocking.

If this occurs, raise the frame on the locked/unlocked side only, until the struts 'click' then lower back in to position.



Hills Handy Hints

Place smaller items of clothing on the lines nearest to the wall or posts and work your way outwards for larger items.

When hanging thick or bulky items, you may hang the item over more than one line.

Care and Maintenance

Regularly inspect all components and check for wear and tear or damage. Ensure fasteners are secure. If there is any damage, parts should be replaced with original Hills spares. The clothesline should be repaired before using again.

Your clothesline should be periodically wiped clean with a damp cloth and mild detergent.

We do not recommend the use of oil or 'WD' type lubricants on any part of the clothesline.

Wipe away any dirt and dust from the telescopic struts with a damp cloth once a month. More regularly in dusty conditions.

To maintain appearance and durability of coating on metal components we recommend a twice yearly application of a reputable brand of car polish or wax.

Line Tensioning

To remove any excess 'slack' from the lines, feed the line through the frame until desired tension is achieved. Undo and re-tie line tensioner (**Fig. 13 and 14**).

Do not over tension the line as you may distort the frame.

Hills Guarantee

Hills Industries Limited undertakes that if any part of its manufacture has failed to operate correctly due to faulty workmanship or defective material, it will repair or replace the part free of cost for a period of SEVEN (7) years from date of purchase of the article, given fair wear and tear. The PVC line is guaranteed for a period of ONE (1) year. Evidence of unfair usage or incorrect adjustment by the owner will void this promise.

Hills Industries Limited will not be responsible for any costs in connection with freight or postage, or for expenditure necessary to dismantle the article, replace the part in position and re assemble the article.

This guarantee is in addition to any legal rights or remedies conferred on the consumer.

Hills Industries Limited does not recommend the application of a 'canopy' on any of their outdoor dryer range.

Unless any addition or attachment to this product has Hills specific approval or is sold as a Hills product the warranty on this product is waived. The product is designed to perform a specific task under established test loads and unauthorised attachments may produce stresses for which the design is not appropriate.

Designs, specifications and colours are subject to change without notice.

Please retain this Owner's Manual. Record the following information from the carton for future reference.

Product Number:.....

Date of purchase:.....

Name and location of store:.....

.....

Hills Contacts

As a proudly Australian company we are committed to provide you with complete customer satisfaction. If you have questions about this product or find there are missing or damaged parts please contact your nearest Consumer Advice Centre during their local business hours.

Australia

1300 300 564
info@hills.com.au

New Zealand

09 262 3052
sales@hills.co.nz

North America

877 534 1371 (Eastern)
gsutterlin@verizon.net

South Africa

021 442 1540
info@stingray.co.za

or visit www.hills.com.au



Designed and tested under a Quality System that meets Hills demanding quality specifications.

Made in China